



Genuine Land Rover factory 3D logo sticker
Perfect for the garage, tool box or side of your Land Rover. Big, heavy duty size, 14 3/4" x 7 3/4" RNA686 \$8.00



Traditional Large Land Rover Sticker
Self adhesive traditional logo for Land Rover models. 16" x 8" dia. oval. RTC9602 \$8.00



Front License Plate

Made out of embossed aluminum and painted green and cream, this plate will embellish any Land Rover. 89G2025 12" x 7" \$9.50



RNB084



RNB318

Land Rover Patch
RTC6879 3 1/2" x 1 3/4" \$5.75

Land Rover 3D Badges
This self adhesive badge is the emblem on new Land Rover models. Dress up your tool box or put one on the fridge! 3 1/2" oval.
RNB084 Green & Silver \$11.50
RNB318 Green & Gold \$11.50



Union Jack Sticker
Union Jack flag sticker as found on the front wing of M.o.D. vehicles. 6" x 4"
RNA1237 \$3.75



Special Vehicles Decals
STC7053 Large 7 1/2" x 4" \$10.50
STC7052 Small 4" x 2 1/2" \$ 6.50



GB Oval Sticker
Show your true colours. 6 5/8" dia.
STC8309 \$6.75



The Best 4 x 4 x Far



The Best 4x4xFAR Stickers
A must have item for the true Land Rover enthusiast. Adheres to the interior of any glass. 3D four colour 9 3/4" x 2 1/8".
RNA668 Defender \$3.95
RNA669 Range Rover \$3.95
RNA670 Discovery \$3.95



Rallye Plate Sticker
RNA1235 7 3/4" x 3 3/4" \$3.75

RNA695 Traditional 2 colour design of The Best 4x4xFar sticker 17" x 2" \$7.50

PRSR STD
U.S. POSTAGE
PAID
PERMIT NO. 21
Burlington, VT

RETURN SERVICE REQUESTED



1319 VT Rt 128, Westford, Vermont 05494 USA

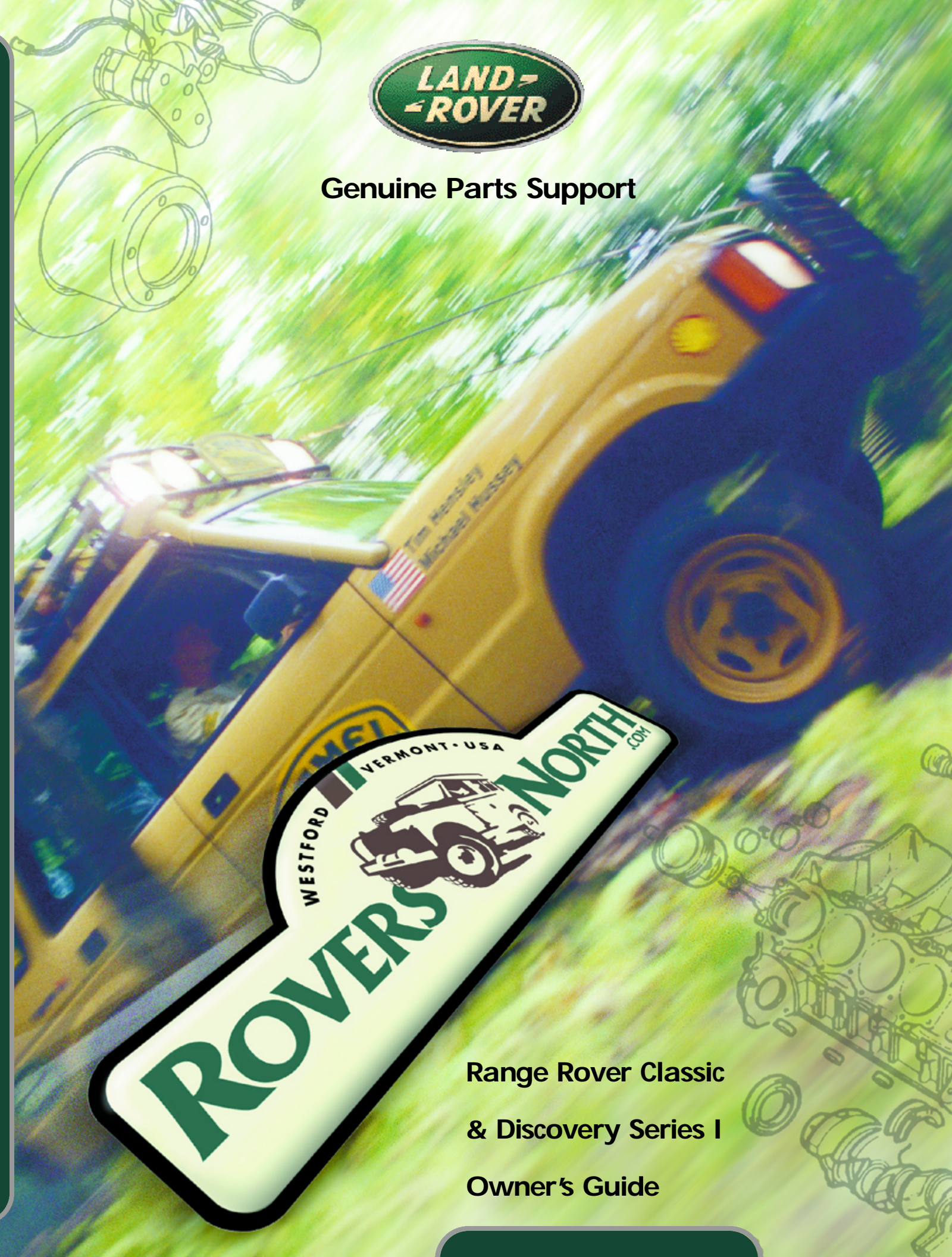


Drive Without Spilling a Drop!
Drive with a hot or cold beverage and not spill a drop.
RNA0046 (stainless) \$16.50
RNA0046R (red) \$16.50
RNA0046Y (yellow) \$16.50

Photo Gordon Kalio. A generous thank you goes out to Gordon Kalio for use of his expedition photography throughout our catalog



Genuine Parts Support



**Range Rover Classic
& Discovery Series I
Owner's Guide**

Use of your "speed number" allows us to quickly draw up your name and address on our computers whenever you call. This means shorter phone calls and no confusion over whether you're John Smith of San Francisco or John Smith of San Juan. Take a minute to fill out the quick-reference chart below to make ordering the right parts for your Land Rover a breeze. You'll find your six digit speed number above your name on all mailings and invoices.

Customer Information		
Name _____	Rovers North Speed Number _____	
Land Rover Clubs _____		
Land Rover Information		
Date of Purchase _____	Mileage _____	Previous Owner _____
Land Rover Type _____		
VIN# _____		
Engine Serial # _____	Type _____	Litres _____
Gearbox Serial # _____	Type _____	
Transfercase Serial # _____	Type _____	Ratio _____
Exterior Colour _____	Paint Code _____	Factory Options _____

Axle Types (f) _____ (r) _____	Ratio _____	
Tyre Size _____	Type _____	
Modifications _____		



The Enthusiast's Choice Since 1979.

Often times the new toys in the bright party wrapping quickly fade when the play turns serious. That's why you won't see a "poser" accessory in this catalog. From Land Rover Genuine Parts, to our expedition accessories, every piece of equipment offered on these pages has been tested by more extreme hours off-road than most owners will experience in their lifetime. Most aftermarket parts and accessories wouldn't last a day in the environment our equipment is regularly relied on to perform in.

This is why more enthusiasts rely on us for their parts and accessories support. Every aspect of Rovers North is based on serving the enthusiast who is enjoying a long term experience with their Land Rover. Endorsed by Land Rover, our mission is to support owners outside the dealer system who require the superior performance and long term economics of Land Rover Genuine Parts.

On behalf of everyone here at Rovers North, I would like to extend a sincere thank you to all the enthusiasts that have so loyally supported us throughout the years. Your confidence in us inspires our constant improvement in the way we do business. We welcome your suggestions, ideas and especially your stories. You have our promise of honest, professional, undaunted support.

Welcome to Rovers North.

Andrea and Mark Letorney
Andrea and Mark Letorney

Genuine Parts

The cheapest parts are not necessarily the least expensive. Land Rover Genuine Parts are under constant development to improve performance and durability, bringing you the latest technology in parts for your Land Rover. This means that, not only will a Genuine Part fit correctly, it will last the longest and in most cases last longer than the part it replaces. So, if you want to improve your Land Rover rather than just simply fix it, insist on only Genuine Land Rover Parts. Nothing fits like them, last like them, or is guaranteed like them. Genuine Parts contained in this catalog are purchased and imported by Rovers North directly from Land Rover in England.

Background photo: Rovers North team in the first successful winter ascent of Mt. Washington, NH in a Range Rover Classic, 1994. Famed for the "World's Worst Weather", where temperatures can easily drop to -67° F below zero on a good day. Treacherous Mt. Washington holds the world's wind speed record of 231 mph.

Ordering Information

The majority of our orders are taken by telephone. You may request an order form, should you prefer to order by mail or fax. Or, you may order on-line from our web site at www.roversnorth.com. Your telephone call will be answered by one of our trained product specialists, a Land Rover owner like yourself, who will be able to assist you in diagnosing your Land Rover's needs. When ordering, it's important to give us the year, model and engine type of your Land Rover. If you are unsure of your Land Rover's year and model, we will be glad to help you. If you do not see an item in this catalog, please ask for it. This parts guide represents only 35% of our in-stock inventory. For parts not in stock, we are happy to special order them for you from Land Rover Parts. We are computer linked directly to Land Rover's main U.K. warehouse for fast air or economical ocean freight service.

Customer Support

Our goal is to make parts ordering a quick and enjoyable experience. Our specialists will help you with all of your Land Rover questions. From diagnosing mechanical faults, to advising the correct restoration procedures, we look forward to helping you in every way that we can. For customers that require vehicle service and restoration by Rovers North, we have sold our workshop facility to our previous Service Manager, Michael Hopwood. He and the former Rovers North workshop staff are now located in Williston, Vermont. The new business is called The 4x4 Center. They specialize in Land Rover service, restoration and pre-owned vehicle sales. They can be reached at (802) 864-8565.

Satisfaction Guaranteed

If you are not satisfied with any item you have purchased from us, you may return it with a copy of your invoice and completed return form for a full refund or exchange within 90 days of purchase. An invoice and return form is included with each order from Rovers North. All parts and accessories sold by Rovers North are guaranteed to be free from defects for 12 months, unlimited mileage to the original purchaser. Should you suspect a defective part, just return the part with a copy of the invoice and an explanation of the problem. If defective upon inspection, we will promptly send you a replacement at no charge. Please understand that this guarantee is limited to the part we sold you and does not cover any labor or other parts associated with the defective part. Should you or Rovers North make a mistake and you receive the wrong part, please call us immediately so we can send you the correct part as soon as possible. If it is our mistake, we will pay the additional shipping.

Return Policy

A parts return form is included with each Rovers North invoice. Any part can be returned to Rovers North for any reason without prior authorization up to 90 days after an order is received, with no restocking fee, except Special Order Parts* ordered per customer request. Special Order Parts per customer request and parts returned after 90 days are subject to a restocking fee. *Special Order Parts are non-returnable unless defective.

Shipping Information

Orders for in-stock items taken by 3:00 pm EST are shipped the same day. After this time, your order will be shipped the next business day. We ship U.P.S. unless you prefer another method. U.P.S. offers regular ground, 2nd day air and next day air for overnight delivery. Larger items will be shipped via truck. Orders from outside the continental U.S. will be shipped parcel post, U.P.S. or Air Freight. Please contact us for the best shipping method.



Phone: (802) 879-0032

Fax: (802) 879-9152

e-mail: rovers@together.net

www.roversnorth.com

1319 VT Rt 128 • Westford, Vermont 05494 • USA

Business Hours

Monday - Friday 7:30am to 5:30pm (E.S.T)
Saturday 9:00am to 2:00pm
Sunday Closed

Payment

Charge to Visa, MasterCard, American Express, Discover, C.O.D. or prepayment.



Prices in this catalog supercede all previously published prices. Prices and item availability are subject to change without notice.

© 2002 Rovers North Inc. illustrations and part numbers © 2002 Land Rover Group Ltd. This publication, its text, illustrations and part numbers, may not, in whole or in part, be copied, reproduced, translated or converted to any electronic or machine readable form without prior written consent of Rovers North Inc.

Cover: Local Vermonter Mike Hussey with Tim Hennesley, the first Americans to ever win the Camel Trophy, exercise the winning factory prepared 1993 Land Rover Discovery I out on our trials course in Stowe, Vermont.

Engine / Gearbox

Fuel & Exhaust

Steering

Brakes

Drivetrain

Suspension

Cooling

Body

Electrical

Lamp Guards

Interior

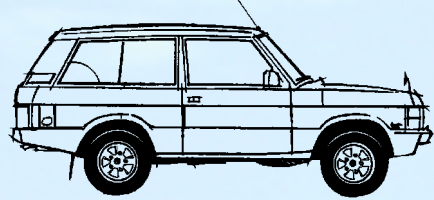
Bars / Winches

Accessories

Let our experience add to your Land Rover experience. Look for our tech tip mechanic Leaky throughout our catalog.



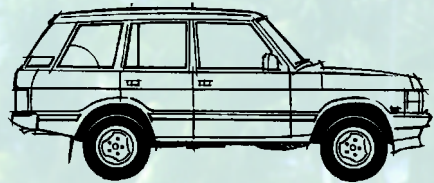
Range Rover Classic



1970-1979
Range Rover Classic 2-Door, R.o.W. version



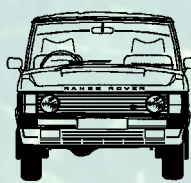
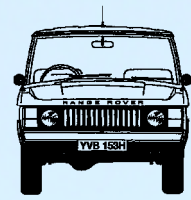
1980-1986
Range Rover Classic 4-Door with vertical metal grille, R.o.W. version



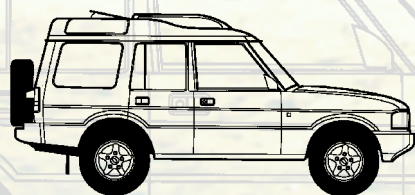
1987-1994
Range Rover Classic 4-Door with horizontal plastic grille, NAS version



1993-1995
Range Rover Classic LWB, 4-Door with horizontal plastic grille, NAS version



Discovery Series I



1996 - 1999
Discovery Series I

Capacities	U.S. Unit	Liters	Type
Engine oil w/filter, 8-cylinder	7.1 quarts	6.66	10w/40
Main gearbox 8 cyl. 5sp LT77S	2.3 quarts	2.2	ATF Dexron III
Main gearbox 8 cyl 5sp R380	2.8 quarts	2.7	ATF Dexron III
Main gearbox 8 cyl 4sp ZF auto	10.0 quarts	9.1	ATF Dexron III
Transfer box 8 cylinder LT230	2.4 quarts	2.3	80w/90
Transfer box 8 cylinder Borg Warner	2.2 quarts	2.1	ATF Dexron III
Rear differential } Rover type	1.8 quarts	1.75	80w/90
Front differential	1.8 quarts	1.75	80w/90
Swivel pin housing oil (each)	1.2 pints	0.5	80w/90
Swivel pin housing grease type	-	375 ml	Molyblendum
Power steering, 8 cylinder	3.0 quarts	2.9	ATF Dexron III
Fuel tank, Range Rover Classic	23.4 gallons	88.5	Unleaded - Premium
Fuel tank, Range Rover Classic LWB	23.4 gallons	88.5	Unleaded - Premium
Fuel tank, Discovery I	23.4 gallons	88.5	Unleaded - Premium
Cooling system, 8 cylinder	13.6 quarts	12.8	Ethylene- Glycol/water mix

RANGE ROVER CLASSIC

VEHICLE IDENTIFICATION NUMBER (VIN) INTERPRETATION NORTH AMERICAN SPECIFICATION (NAS)

S A L H V 1 1 4 X H A 2 6 5 4 0 6

- Manufacturer: Land Rover UK, LTD
- Model Range: HV-100*WB, 49 State (California); HE- 100*WB, 50 state (California); HC-LWB, 49 state (California); HF-LWB, 50 state (California)
- Body: 1-5 Door
- Engine: 1-3.5ltr; 2-3.9ltr; 3-4.2ltr
- Transmission: 4-Automatic
- Check Digit (Variable)
- Model Year (1987): H-1987; J-1988; K-1989; L-1990; M-1991; N-1992; P-1993; R-1994; S-1995
- Assembly Plant: Solihull, West Midlands, UK
- Sequence of Production

DISCOVERY - STATION WAGON 5 DOOR

VEHICLE IDENTIFICATION NUMBER (VIN) INTERPRETATION NORTH AMERICAN SPECIFICATION (NAS)

VIN Code	Engine	Gearbox	Steering
SALJY128*RA**	3.9 Petrol EFI	Manual	LH STG
SALJY124*RA**	3.9 Petrol EFI	Automatic	LH STG
SALJY128*SA**	3.9 Petrol EFI	Manual	LH STG
SALJY124*SA**	3.9 Petrol EFI	Automatic	LH STG
SALJY128*TA**	4.0 Petrol EFI	Manual	LH STG
SALJY124*TA**	4.0 Petrol EFI	Automatic	LH STG
SALJY128*VA**	4.0 Petrol EFI	Manual	LH STG
SALJY124*VA**	4.0 Petrol EFI	Automatic	LH STG
SALJY124*WA**	4.0 Petrol EFI	Automatic	LH STG
SALJY124*XA**	4.0 Petrol EFI	Automatic	LH STG

RA = 94 MODEL YEAR
SA = 95 MODEL YEAR
TA = 96 MODEL YEAR
VA = 97 MODEL YEAR
WA = 98 MODEL YEAR
XA = 99 MODEL YEAR

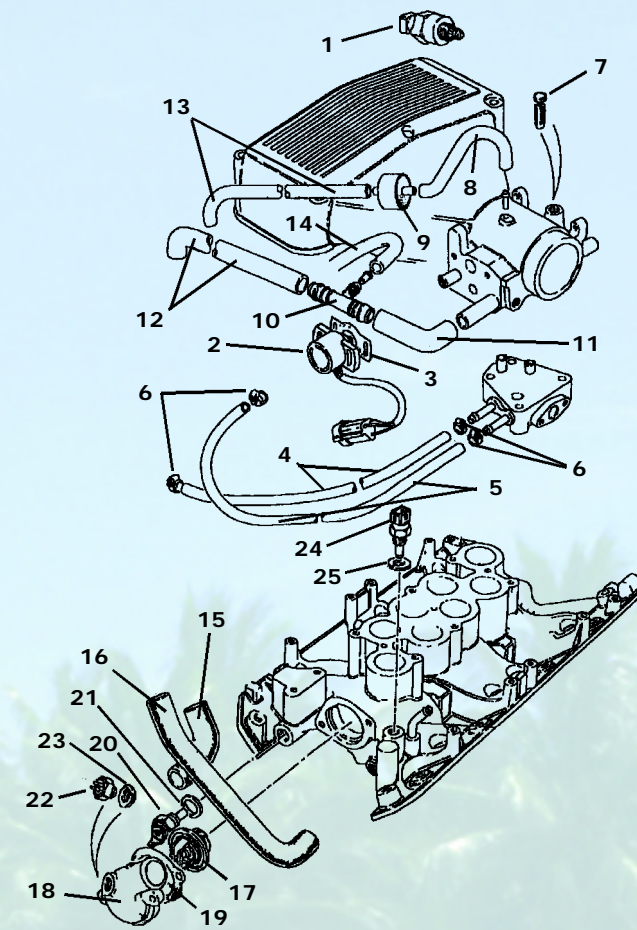
ENGINES-V8 PETROL EFI
35D00001 3.9 EFI 9.35.1 C/R (Manual)
36D00001 3.9 EFI 9.35.1 C/R (Auto)
50D00001 4.0 EFI 9.35.1 C/R (Auto)

GEARBOX MANUAL 5 SPEED-R380
53A00001

TRANSFER GEARBOX-LT230T Type
28D00001

GEARBOX-AUTOMATIC
ZF-4 Speed NOPREFIX

AXLES ASBESTOS FREE BRAKES
FRONT-71L00000A
REAR-47S00000A



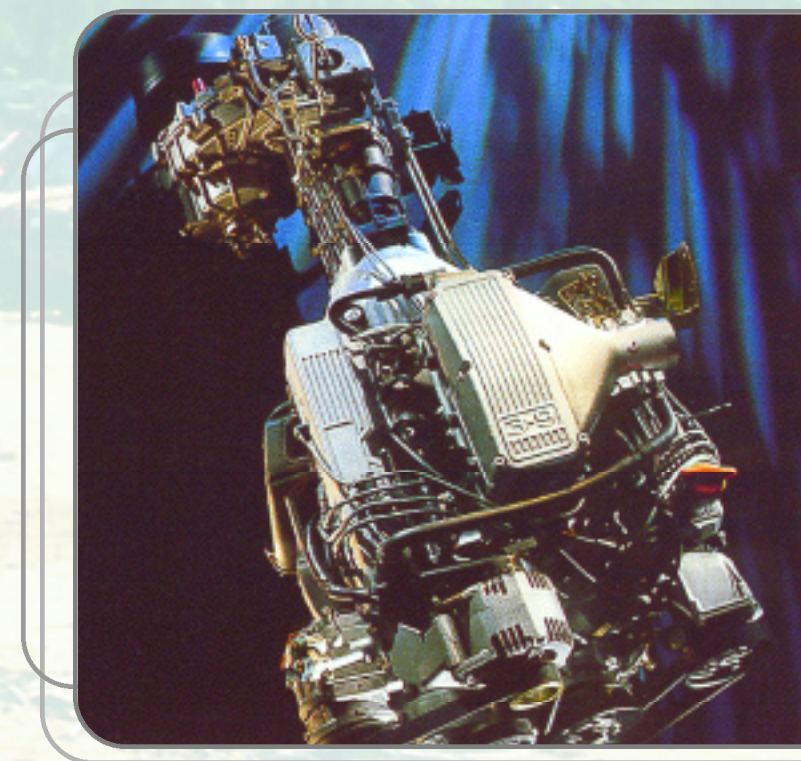
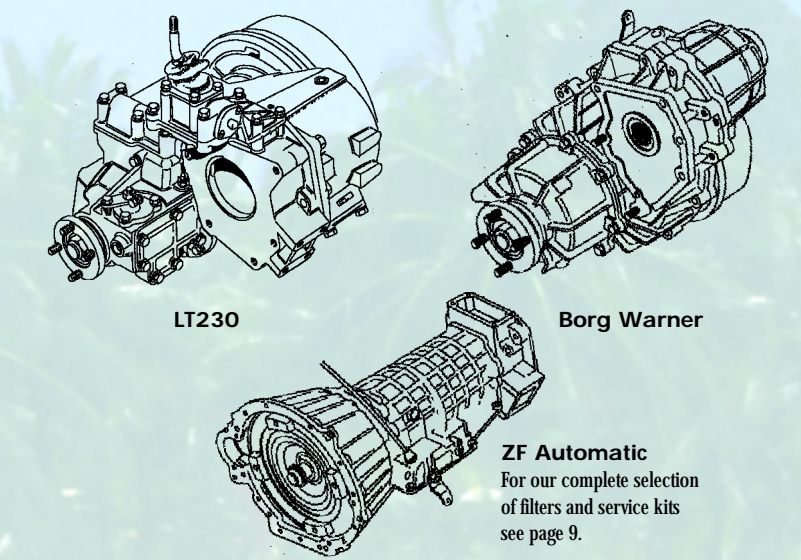
V8 Inlet Manifold / Plenum Chamber EFI

1. RNM077	Stepper Motor	\$ 149.00
2. RNM084	Potentiometer (up to 1989)	\$ 107.25
RNM085	Potentiometer (1989 on)	\$ 169.00
3. RNM078	Potentiometer Gasket	\$ 1.25
4. RNM086	Hose Manifold Jacket	\$ 15.00
5. RNM082	Hose Intake Jacket (3.5L)	\$ 21.50
RNM079	Hose Intake Jacket (3.9L)	\$ 32.00
6. RNC049	Hose Clamp	\$ 1.95
7. RNM109	Tamper Plug Idle Speed	\$ 2.25
8. RNM082	Delay Valve Hose	\$ 21.50
9. RNI025	Delay Valve Vaccum	\$ 21.50
10. RNM095	Tee Piece & Restrictor*	\$ 34.65
11. RNM135	Hose Plenum to Tee Piece*	\$ 9.50
12. RNM081	Hose Flame Trap to Tee*	\$ 15.50
13. RNM142	Vaccum to Delay Hose	\$ 11.50
14. RNM098	Hose PCV to Manifold*	\$ 8.25
15. RNC048	Heater Return Hose	\$ 11.75
16. RNC043	Heater Supply Hose	\$ 19.50
17. RNC047	Thermostat	\$ 9.50
18. RNC040	Elbow Water Outlet	\$ 59.25
19. RNC046	Elbow Gasket	\$ 1.95
20. RNC057	Temp Sender (Gauge) 3.5L	\$ 45.50
RNC035	Temp Sender (Gauge) 3.9L	\$ 11.25
21. RNC039	Sealing Washer	\$.35
22. RNC045	Switch Fan Temp	\$ 27.75
23. RNC023	Copper Washer	\$ 1.75
24. RNM134	Sensor Coolant (ECU)	\$ 19.75
25. RNH032	Washer	\$.70
* RNK110	Emission Kit (includes * items)	\$ 65.00

V8 Engine

Transfer Boxes

Part Number	Description	Price
Range Rover NAS		
RNT012	Transfer Gearbox - LT230	\$ 2752.50
RNT012R	Transfer Gearbox - LT230 Remanufactured	\$ 1950.00
Range Rover & Discovery I		
RNT020	Transfer Gearbox - Borg Warner	\$ 5525.00
RNT020R	Transfer Gearbox - Borg Warner Remanufactured	\$ 2575.00
ZF Automatic Gearboxes (no core charge)		
Range Rover & Discovery I		
RNT005	Gearbox Assembly - ZF Automatic	\$ 5270.00
RNT005R	Gearbox Assembly - ZF Automatic	\$ 2605.00

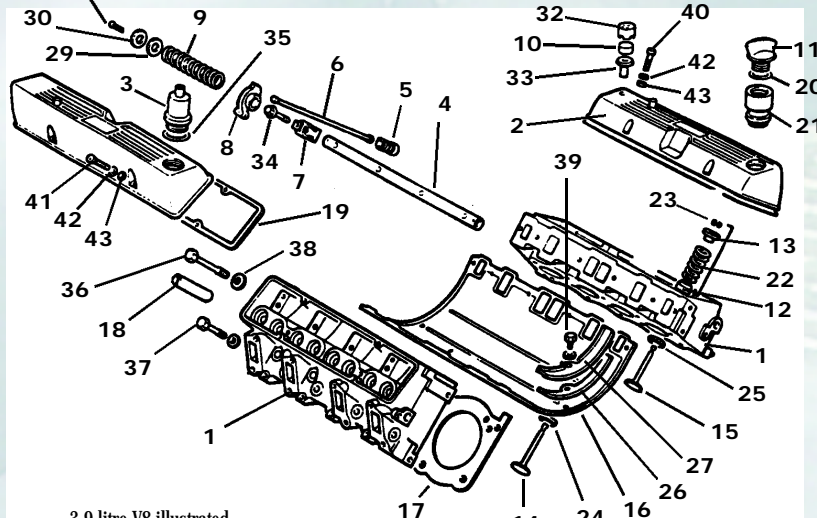


Genuine Parts Support

Engine

Cylinder Head Components

1. RNM025	Cylinder Head Assembly	4.0 ltr	\$1265.00
RNM025		3.9 ltr	\$1265.00
2. RNV008	Rocker Cover Assembly	3.5 ltr	LH \$ 121.00
RNV009			RH \$ 121.00
RNV020		3.9 ltr	LH \$ 219.00
RNV021			RH \$ 154.25
RNM037		4.0 ltr	LH \$ 180.00
RNM038			RH \$ 180.00
RNM053		4.2 ltr	LH \$ 395.25
RNM054			RH \$ 395.25
3. RNM001	Vent Crankcase		\$ 27.50
4. RNV017	Rocker Shaft		\$ 189.00
5. RNM041	Tappet Assembly		\$ 19.75
6. RNV005	Pushrod		\$ 6.50
7. RNV024	Bracket Rocker Shaft		\$ 12.25
8. RNM105	Rocker Arm	LH	\$ 25.25
RNM047		RH	\$ 25.25
9. RNM034	Spring Rocker Arm		\$ 2.00
10. RNM026	Filter Element Valve Cover		\$ 2.75
11. RNV002	Oil Filler Cap Threaded	3.5/3.9/4.2 ltr	\$ 19.50
RNV003		4.0 ltr	\$ 10.75
12. RNV023	Seal Valve Stem Intake		\$ 5.75
13. RNM044	Valve Spring Cap		\$ 4.50
14. RNV010	Inlet Valve	3.5 ltr	\$ 26.25
RNM022		3.9 / 4.0 ltr	\$ 15.50
15. RNM011	Exhaust Valve	3.5 ltr	\$ 24.25
RNM027		3.9 / 4.2 ltr	\$ 68.75
16. RNV004	Gasket Inlet Manifold (part of gasket set)		\$ 32.50
17. RNM012	Head Gasket (fibre type)		\$ 29.75
18. RNV019	Valve Guide		\$ 12.75
19. RNM035	Gasket Valve Cover **		\$ 17.50
**(use with four each, RNV006 and RNV007 Valve Cover screws)			
RNV006	Screw Valve Cover V8		\$ 1.55
RNV007	Screw Valve Cover V8		\$ 1.55
20. RNV048	"O"-ring Oil Filler Cap	3.9 / 4.2 ltr	\$ 1.90
RNM115		4.0 ltr	\$ 5.00
21. RNM093	Filler Extension	3.9 / 4.2 ltr	\$ 58.00
RNM094		4.0 litre	\$ 6.00
22. RNM069	Valve Spring		\$ 4.25
23. RNM068	Split Cone Retainer		\$ 1.50

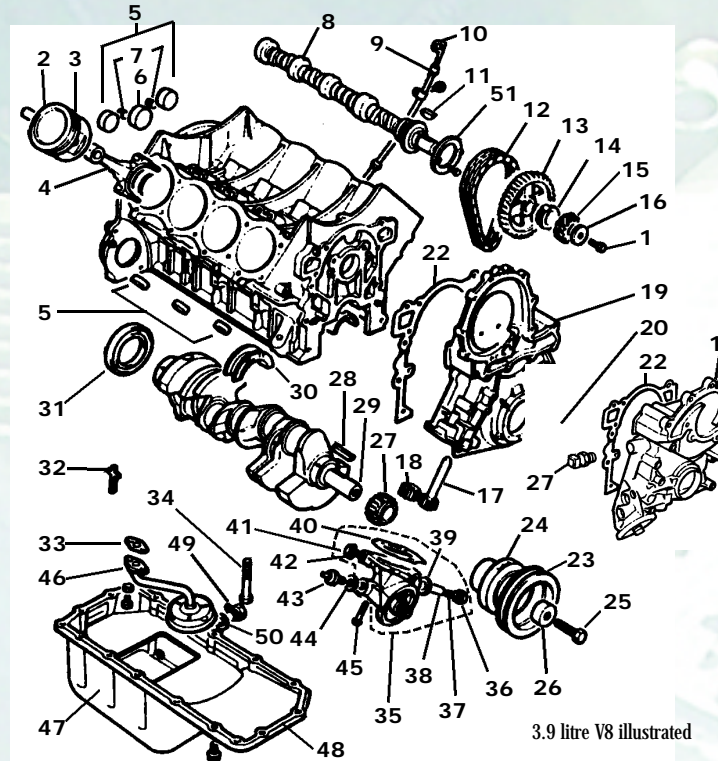


3.9 litre V8 illustrated

24. RNM028	Valve Seat Inlet		\$ 14.75
25. RNM116	Valve Seat Exhaust	3.5 ltr	\$ 9.50
RNM117		3.9 ltr	\$ 46.00
26. RNM039	Seal Intake Manifold		\$ 6.75
27. RNM070	Clamp Intake Gasket		\$ 11.25
29. RNF119	Spring Washer		\$ 1.25
30. RNF130	Washer Rocker Shaft		\$ 1.25
31. RNF126	Split Pin		\$.25
32. RNM091	Cap V/C Breather		\$ 1.75
33. RNM103	Mounting Plate Breather		\$ 11.50
34. RNF123	Bolt 3/8" UNF Rocker Assembly to Head		\$ 2.00
35. RNV048	"O"-ring Oil Filler Cap		\$ 1.90
36. RNV013	Bolt (long - used with fibre gasket)		\$ 4.00
37. RNM014	Bolt (short - used with fibre gasket)		\$ 3.00
38. RNF117	Special Washer Cylinder Head		\$ 1.75
39. RNM088	Bolt - Seal Retainer		\$.95
40. RNF122	Screw Valve Cover		\$.75
41. RNF120	Screw Valve Cover		\$ 1.55
42. RNX015	Lock Washer		\$.15
43. RNS074	Washer		\$.30

Genuine 3.5 / 3.9 / 4.0 / 4.2 Litre V8 Gasket Sets

RNM015	Gasket set 3.5 litre	\$ 146.00
RNV016	Gasket set - steel gasket 3.9 litre	\$ 149.00
RNM083	Gasket set - fibre gasket 3.9/4.0/4.2 ltr	\$ 298.00



3.9 litre V8 illustrated

Engine Lower End

(Piston Assemblies include rings & wrist pin)

1. RNM107	Bolt	3.5L	\$ 4.54
RNM152	Bolt	3.9L	\$ 1.29
RNM148	Bolt	4.0L	\$ 2.79
2. RNM118	Piston Assembly Std.	3.5L	\$ 123.75
RNM141	Piston Assembly .020		\$ 172.00
RNM136	Piston Assembly Std.	3.9L	\$ 125.00
RNM131	Piston Assembly .020		\$ 149.50
RNM096	(Discovery I high comp)	3.9L	\$ 146.75
	.020		
RNM075	Std.	4.2L	\$ 105.75
RNM121	Piston Assembly	100"	\$ 159.00
RNM113	Piston Assembly Std.	4.0L	\$ 100.75
3. RNM101	Piston Rings Std.	3.5/3.9/4.2/4.0	\$ 29.50
4. RNM071	Connecting Rod	3.5 / 3.9 / 4.2	\$ 135.00
RNM072		4.0	\$ 158.75
5. RNM146	Cup Plug	3.5/3.9/4.2/4.0	\$ 2.00
6. RNM029	Plug Cambore Rear	3.5/3.9/4.2/4.0	\$ 3.50
7. RNM139	Threaded Plug Cyl. Block	3.5 / 3.9 / 4.2	\$ 1.75
RNM124	Threaded Plug Cyl. Block	4.0	\$ 3.25
8. RNM140	Camshaft	3.5	\$ 394.00
RNM143		3.9	\$ 269.00
RNM144		4.2	\$ 452.25
RNM145		4.0	\$ 289.00
9. RNM059	Dipstick Tube	3.5 / 3.9 / 4.2	\$ 10.25
RNM064		4.0	\$ 14.50
10. RNM127	Dipstick	3.5 / 3.9 / 4.2	\$ 8.00
RNM130		4.0	\$ 7.25
11. RNM060	Key Camshaft Chain Wheel	3.5 / 3.9 / 4.2	\$ 5.00
12. RNM102	Timing Chain	3.5/3.9/4.2/4.0	\$ 79.50
13. RNM128	Chainwheel Camshaft	3.5 / 3.9 / 4.2	\$ 26.50
RNM137		4.0	\$ 28.50
14. RNM031	Spacer Camshaft Gear	3.5 / 3.9 / 4.2	\$ 5.75
15. RNM046	Gear Distributor Drive	3.5 / 3.9 / 4.2	\$ 85.50
16. RNH034	Plain Washer	3.5 / 3.9 / 4.2	\$ 3.75
17. RNM129	Idler Gear Oil Pump	3.5 / 3.9 / 4.2	\$ 66.75
18. RNM040	Idler Gear	3.5 / 3.9 / 4.2	\$ 8.00
19. RNM126	Timing Cover	3.5 / 3.9 / 4.2	\$ 605.00

RNM132	Front Cover-Serpentine Belt	3.9 / 4.2	\$ 326.25
RNM133		4.0	\$ 352.25
20. RNM042	Seal Front Crankshaft	3.5/3.9/4.2/4.0	\$ 6.25
21. RNM045	Mud Shield Front Cover (not pictured)		
		3.5 / 3.9 / 4.2	\$ 2.25
22. RNM033	Gasket Front Cover	3.5 / 3.9 / 4.2	\$ 9.50
RNM036		4.0	\$ 7.75
23. RNM097	Pulley Water Pump/Alt.	3.5 / 3.9 / 4.2	\$ 42.25
RNM106	Pulley Power Steering Pump	3.5 / 3.9 / 4.2	\$ 30.00
RNM074	Pulley Serpentine Belt	4.2 / 4.0	\$ 60.25
24. RNM090	Damper Range Rover	3.5 / 3.9	\$ 329.00
RNM080	Damper Range Rover LWB	4.2	\$ 199.75
RNM057	Damper Discovery	3.9	\$ 122.00
RNM058	Damper Assembly	4.0	\$ 205.25
25. RNH017	Bolt Crankshaft	3.5/3.9/4.2/4.0	\$ 7.75
26. RNH028	Washer Harmonic Balancer	3.5/3.9/4.2/4.0	\$ 9.50
27. RNM067	Gear Crankshaft	3.5/3.9/4.2/4.0	\$ 10.25
28. RNM100	Woodruff Key Balancer	3.5 / 3.9	\$ 7.25
RNM112		3.9 Discovery /	
		4.2 / 4.0	\$ 11.50
29. RNM056	Crankshaft	3.5 / 3.9	\$ 963.00
RNM122		4.0	\$ 440.50
30. RNM050	Main Bearing Kit	3.5 / 3.9 (Std)	\$ 94.50
RNM051	(.010 over)		\$ 147.00
RNM052	(.020 over)		\$ 185.00
RNM076	4.2 / 3.9 Discovery 35D08967B/36D25524B		\$ 141.75
RNM138		4.0	\$ 75.00
31. RNM125	Rear Crankshaft Seal	3.5/3.9/4.2/4.0	\$ 13.25
32. RNM066	Seal Packing	3.5/3.9/4.2/4.0	\$ 1.75
33. RNM062	Oil Strainer Gasket	3.5 / 3.9 / 4.0	\$ 3.25
RNM073		4.2 up to VIN 640399	
			\$.75
RNM062		4.2 from VIN 640400	
			\$ 3.25
34. RNM099	Bolt	3.5/3.9/4.2/4.0	\$ 4.50
35. RNM092	Oil Pump Assembly	3.5/3.9/4.2	\$ 345.00
		4.0 (Not available separately. Part of timing cover RNM133)	
36. RNM043	Plug*	3.5 / 3.9 / 4.2	\$ 4.00
37. RNM018	Spring*	3.5 / 3.9 / 4.2	\$ 1.25
38. RNM089	Pressure Relief Valve*	3.5 / 3.9 / 4.2	\$ 1.75
39. RNH035	Washer*	3.5 / 3.9 / 4.2	\$ 2.75
40. RNM061	Pump Gasket*	3.5 / 3.9 / 4.2	\$ 1.75
41. RNM123	Plug	3.5 / 3.9 / 4.2	\$ 8.25
42. RNH032	Washer*	3.5 / 3.9 / 4.2	\$.70
*Part of oil pump repair kit RNM120			
43. RNM104	Oil Pressure Switch	3.5/3.9/4.2/4.0	\$ 5.25
44. RNM031	Washer / "O"- ring	3.5 / 3.9 / 4.2	\$ 5.75
RNH032	Washer	4.0	\$.70
RNH033	"O"- ring	4.0	\$.55
45. RNH025	Bolt, 1/4" x 7/8"	3.5 / 3.9 / 4.2	\$ 1.25
RNM108	Bolt, 1/4" x 9/16"		\$.75
RNH024	Bolt, 1/4" x 1/4"		\$.75
46. RNM114	Oil Suction Pipe	3.5/3.9/4.2/4.0	\$ 22.75
47. RNM055	Sump	3.5/3.9/4.2/4.0	
		(Without Low Oil Level Sensor Socket)	\$ 170.50
		(With Low Oil Level Sensor Socket)	\$ 190.50
RNM049	Sump Gasket	3.5/3.9/4.2/4.0	\$ 7.75
48. RNM110	Drain Plug	3.5/3.9/4.2/4.0	\$ 5.00
49. RNM032	Washer	3.5 / 3.9 / 4.2	\$ 2.00
50. RNF013		4.0	\$ 1.75
RNF014			\$ 16.50
51. RNM147	Camshaft retainer plate		\$ 16.50



Engine Gasket Tip

Most V8 upper engine gasket sets contain conventional metal cylinder head gaskets. A newer-style composite gasket with stainless steel fire rings and bolt eyelets is available as a replacement. When using this gasket the outer row of head bolts is eliminated and you must use a new style head bolt in the remaining locations. In addition, a different tightening sequence should also be followed. Be sure to ask for these parts and the instructions when ordering the new style head gaskets.

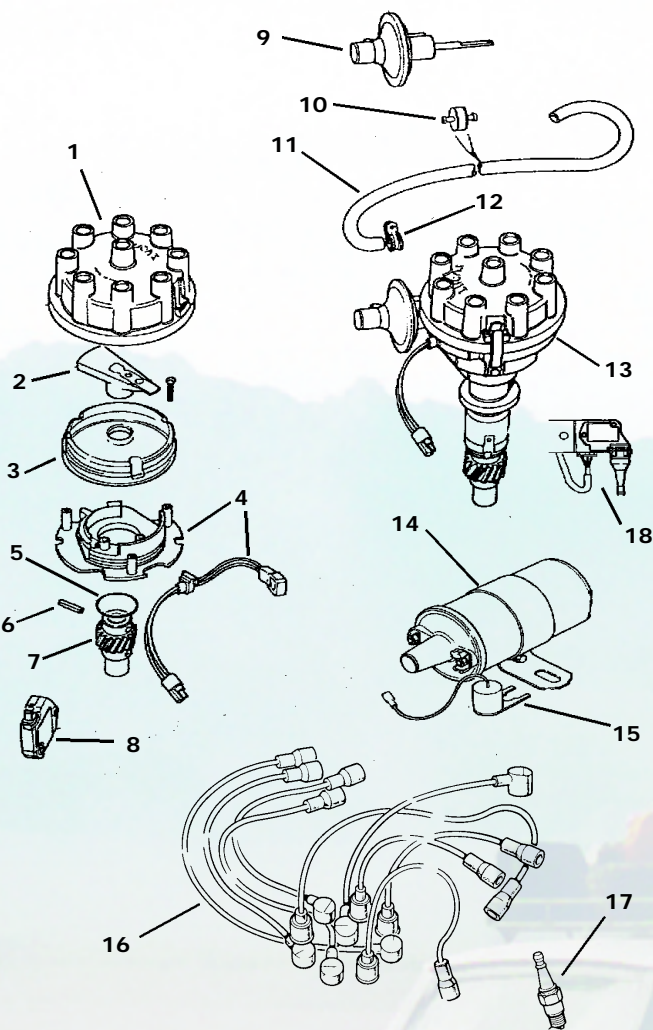


Genuine Parts Support

Engine - ignition

Ignition Distributor 3.5, 3.9 & 4.2 Litre V8

1. RNI001	V8 Distributor Cap All Models		\$ 34.00
2. RNI002	Rotor Arm All Models		\$ 29.00
3. RNI012	Dust Shield	'87-'95	\$ 21.50
4. RNI017	Base Plate with Pick-Up Lead		\$ 52.75
RNI018		'93 on	\$115.00
5. RNI020	"O" Ring Seal		\$ 5.75
6. RNI023	Roll Pin		\$ 8.75
7. RNI014	Drive Gear		\$ 79.75
8. RNI024	Amplifier Module	'87-'92 2 Pin	\$135.25
9. RNI008	Vacuum Unit 2 Pin Amplifier Module		\$ 89.50
10. RNI025	Delay Valve		\$ 21.50
11. RNI021	Hose for Vacuum Unit		\$ 13.25
12. RNI011	Clamp for Hose		\$.75
13. RNI022	Distributor Assembly	'87-'92	\$679.00
RNI010	Conversion Link Lead Set		\$ 31.50
(If the Distributor you are replacing has a 2 Pin Module you need to order a conversion link lead set.)			
RNI019	Distributor Assembly	3.9 Ltr '93-'94	\$675.00
RNI026		'95 only	\$610.00
RNI016	Distributor Assembly	4.2 Ltr '93-'94	\$679.00
RNI027		'95 only	\$610.00
14. RNI028	Ignition Coil All Models		\$ 49.00
15. RNI015	Suppressor		\$ 4.00
16. RNI004	Plug wire set, high tension RR	'87-'94	\$ 49.50
RNI005	Discovery I	'95, RR '95	\$ 59.00
RNI006	Discovery I	'96 on	\$ 52.50
17. RNI003	Spark Plugs All Models		\$ 4.50 ea.
RNI034	Spark Plugs - Range Rover, Discovery II 4.0/4.6		\$ 4.50
18. RNI041	Remote Amplifier Kit - power amp, extension lead, and distributor mounting bracket		\$225.00



RNK1623 Shown

Belt Kits for Range Rover Classic

RNK162	Range Rover Classic '87-92	\$39.00
RNK1623	Range Rover Classic '93-94	\$54.00

Engine Drive Belts 3.5, 3.9 & 4.2 Range Rover 1987-1994

1. RNC001	Air Compressor Belt	'87-'92	\$ 12.00
2. RNC002	Alternator Belt	'87-'92	\$ 5.75
RNC003		'93-'94	\$ 23.50
3. RNC004	Power Steering Belt	'87-'94	\$ 13.50
4. RNC001	Fan Belt	'87-'94	\$ 12.00

Poly V (Serpentine) Drive Belt

RNC005	4.2 Litre Range Rover	1995	\$ 28.50
RNC005	3.9 Litre Discovery	'94-'95	\$ 28.50
RNC006	4.0 Litre Discovery	'96-'99	\$ 27.00



Genuine Service Kits

Basic Service Kit

Includes: Land Rover Genuine Parts oil filter and drain plug sealing washer.

RNK9300	Range Rover Classic	\$ 10.50
RNK9301	Discovery	\$ 10.00

Emission Kit

Includes: Land Rover Genuine Parts tee piece/restrictor, all (3) necessary hoses and instructions.

RNK110	Range Rover Classic, Discovery	\$ 65.00
--------	--------------------------------	----------

Ignition Kit (shown at left)

Includes: Land Rover Genuine Parts distributor cap, rotor arm, ignition wire set and spark plugs.

RNK9335	Range Rover Classic '87-95 (except '95 IWB)	\$ 145.00
RNK9337	Range Rover Classic IWB 1995 only	\$ 146.00
RNK9336	Discovery '94-95	\$ 131.00

Drive Belt Kit

Includes: Land Rover Genuine Parts A/C compressor, power steering pump, alternator and water pump belts OR serpentine belt.

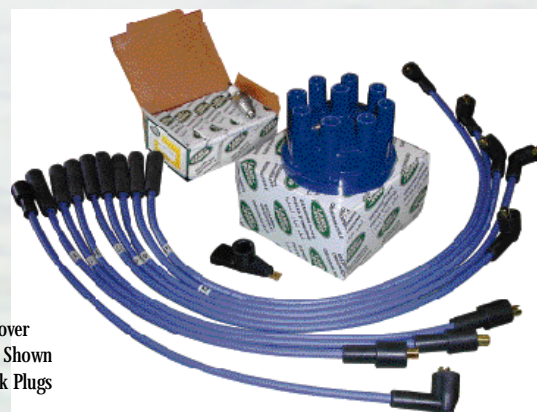
RNK162	Range Rover Classic '87-92	\$ 39.00
RNK1623	Range Rover Classic '93-94	\$ 54.00
RNC005	Discovery '94-95 3.9 litre	\$ 28.50
RNC006	Discovery '96-99 4.0 litre	\$ 27.00

Raised Air Intake Kits

RNA1003	Discovery I	\$425.00
RNA1013	Discovery II	\$525.00
RNA1115	Range Rover	\$425.00



RNK9331 Range Rover 30K Service Kit Shown



RNK9335 Range Rover Classic Ignition Kit Shown with Box of 8 Spark Plugs

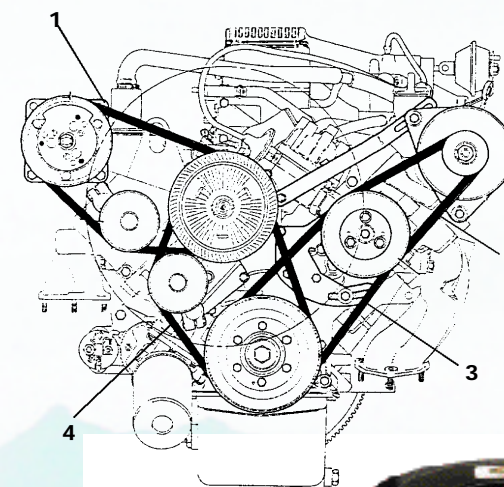


Genuine 30K Service Kits

Includes: Land Rover Genuine Parts oil filter, fuel filter, air filter, automatic transmission kit, valve cover breather, distributor cap, rotor arm and ignition wire set.

RNK9330	RR Classic '87-90	\$ 247.00
RNK9331	RR Classic '91-94	\$ 255.00
RNK9332	Discovery '94-95 Automatic	\$ 257.00
RNK9333	Discovery '94-95 Manual (minus auto trans kit)	\$ 189.00

Belts



Filters



Genuine Air Filters

RNF012	74-85 RR Classic, 2 Required	\$ 9.50
RNF010	Discovery I, 95 RR Classic	\$ 11.50
RNF950	RR Classic 87-94	\$ 7.75

K&N Performance Air Filters

The last filter your Rover will need! Superior design uses premium oil cotton gauze with wire screening allowing maximum air flow with maximum filtration. Cleanable, never needs replacement.

RNF139	95 RR Classic & Discovery I	\$ 52.75
RNF141	RR Classic 87-94	\$ 45.00
RNF146	RR 4.0 / 4.6 ltr. thru '98	\$ 59.00
RNF144	RR 4.0 / 4.6 ltr. '99 on, Discovery II	\$ 55.50
RNF145	K&N Filter Service Kit	\$ 14.50

Fuel Filters

RNF861	RR Classic 87-95, Discovery I	\$ 24.50
RNF133	Fuel Filter Update Kit (required for early Range Rover up to VIN LA464553)	\$ 49.75

Oil Filters

RNF001	All V8's	\$ 9.00
RNF013	3.5 & 3.9 V8 Range Rover drain washers	\$ 2.00
RNF014	Discovery drain washer 4.0 & 4.2	\$ 1.75

Automatic Gearbox Service Kit

Includes: Land Rover Genuine Parts oil screen, sump gasket, "o" rings and washers.		
RNK312	Range Rover Classic & Discovery	\$ 55.00

Fuel & Exhaust

- | | | | |
|---|---------|-------------------------------|----------------------|
| 1. | RNF131 | Fuel Pump (RR up to LA464553) | \$ 415.00 |
| | RNF132* | Fuel Pump (RR from MA464554) | \$ 219.00 |
| | RNF132* | Fuel Pump (Discovery I) | \$ 219.00 |
| *Requires Link Lead RNE808, two Olives RNF136, and Two Union Nuts RNF140. | | | |
| 2. | RNF136 | Olive | \$ 1.15 |
| 3. | RNF140 | Union Nut | \$ 2.65 |
| 4. | RNF134 | Lock Ring | \$ 14.50 |
| 5. | RNF138 | Seal for Lock Ring | Range Rover \$ 10.75 |
| | RNF142 | Seal for Lock Ring | Discovery I \$ 7.75 |

Fuel Filler Caps

RANGE ROVER CLASSIC

- | | | |
|--------|------------------|----------|
| RNF135 | (Up to LA464553) | \$ 27.50 |
| RNF137 | (From MA464554) | \$ 9.50 |

DISCOVERY I

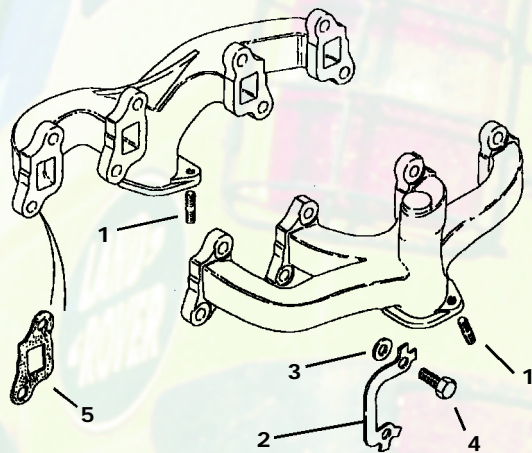
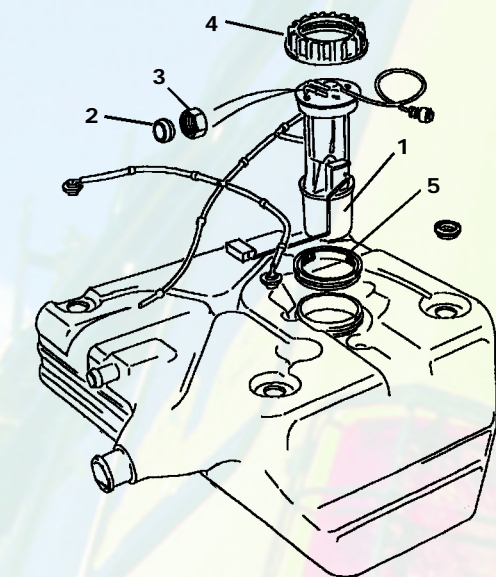
- | | | | |
|--------|---------------------|-------------------------------------|----------|
| RNF137 | (Early Non-Leashed) | Range Rover Classic Fuel Cap RNF135 | \$ 9.50 |
| RNF143 | (Leashed Type) | Cap RNF135 | \$ 20.25 |



Exhaust Manifold

RANGE ROVER / DISCOVERY I

- | | | | |
|----|--------|----------------------------|---------|
| 1. | RNE742 | Manifold to Pipe Stud | \$ 1.98 |
| 2. | RNE746 | Locking Plate | \$ 2.50 |
| 3. | RNH027 | Plain Washer | \$.35 |
| 4. | RNH029 | Screw | \$ 1.75 |
| 5. | RNE747 | Gasket (Four per Manifold) | \$ 2.00 |
| | RNE753 | Gasket (Two per Manifold) | \$ 8.50 |



The Leader in Stainless Steel Performance Exhaust Systems for Land Rovers.

When it comes time to swap out your Range Rover Classic or Discovery I exhaust system, why not upgrade to an NRP Stainless Steel full exhaust and take advantage of an increase in horsepower and torque. You will notice an immediate improvement, over your old tired system, at idle and throughout the entire rpm range. The new exhaust note gives a deep, throaty sound that your all alloy Rover V8 really deserves.

- 50 State smog legal
- Increases of up to 10hp
- Increased fuel mileage



Discovery I

NRP Stainless Steel Full Exhaust System includes; catalytic converters, all pipes & hangers.

- | | | |
|---------|-----------------------------|------------|
| RNE0013 | Manual Gearbox '94 & '95 | \$1,300.00 |
| RNE0033 | Automatic Gearbox '94 & '95 | \$1,300.00 |
| RNE0023 | Automatic Gearbox '96 on | \$1,300.00 |

Range Rover Classic

NRP Stainless Steel Full Exhaust System includes; catalytic converters, all pipes & hangers.

- | | | |
|---------|-------------------|------------|
| RNE0014 | '87-88 | \$1,595.00 |
| RNE0019 | '89 | \$1,395.00 |
| RNE0015 | '90-95 100" | \$1,300.00 |
| RNE0025 | '93-95 108" (IWB) | \$1,300.00 |

Performance Catalytic Converter "Y" Pipe

- | | | |
|---------|--|----------|
| RNE0010 | Range Rover Classic 100" & Discovery Automatic '94 & '95 | \$795.00 |
| RNE0011 | Range Rover Classic IWB | \$795.00 |



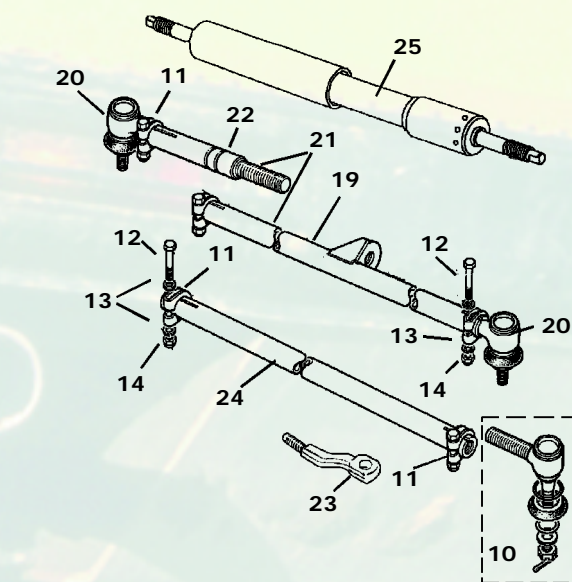
Stainless Steel Muffler & Tail Pipe

- | | | |
|---------|-----------------------|-----------|
| RNE0005 | Range Rover 1990 on | \$ 529.00 |
| RNE0005 | Discovery I | \$ 529.00 |
| RNE0006 | Range Rover 4.0 / 4.6 | \$599.00 |
- (Range Rover '87-89 requires complete performance exhaust system)

LR Owner International Magazine says: "Better fuel economy, better performance, and better ground clearance... NRP certainly deliver on its claims, and the new system even throws in a delightful exhaust note..."



When replacing a steering ball joint, count the number of turns required to remove the old ball joint. Screw the new ball joint in the same number of turns as that of the one removed. This technique will keep the steering alignment relatively close and speed up the wheel and steering wheel alignment process. Also, this is one of those Land Rover maintenance procedures that calls for plenty of anti-seize compound during installation.



Steering

Power Steering System

- | | | | |
|----|---------------------------------------|--|-------------------|
| 1. | RNS001 | Reservoir - All Models | \$ 25.50 |
| 2. | RNS002 | Pump Assembly Range Rover | '87-'92 \$ 319.00 |
| | RNS003 | Range Rover | '93 on \$ 595.00 |
| | RNS003 | Discovery I | \$ 595.00 |
| 3. | RNC004 | Power Steering Belt Range Rover | '87-'94 \$ 13.50 |
| 4. | RNS004 | New Steering Box - All Models | \$ 575.00 |
| | RNS111 | Rebuilt Steering Box - All Models | \$ 325.00 |
| | | Core charge (new & rebuilt) | \$ 250.00 |
| 5. | Hose, Steering Box to Reservoir | | |
| | RNS007 | Range Rover (up to NA610839) | '87 \$ 24.50 |
| | RNS006 | Range Rover (from NA610840) | '87-'95 \$ 29.50 |
| | RNS013 | Discovery I | \$ 25.75 |
| | RNS011 | "O" Ring for all Res. to Box Hoses | \$ 1.75 |
| 6. | Hose, Reservoir to Pump | | |
| | RNS005 | Range Rover | '87-'95 \$ 52.75 |
| | RNS012 | Discovery I | \$ 47.50 |
| 7. | Hose, Pump to Box Range Rover Classic | | |
| | Coil Suspension; | | |
| | RNS008 | | \$ 82.50 |
| | Air Suspension; | | |
| | RNS018 | Hose Pump End | \$ 69.50 |
| | RNS019 | Hose at Box End | \$ 53.25 |
| | RNS020 | RR '95 and Discovery I | \$ 33.75 |
| | RNS009 | "O" Ring for all Pump to Box Hoses | \$ 1.75 |
| 8. | U-Joint, for Steering Shaft | | |
| | RNS017 | Range Rover (up to MA601606) | \$ 49.50 |
| | RNS010 | Range Rover (from MA601606) | thru '94 \$ 57.50 |
| | RNS021 | Range Rover '95 & Discovery I U-joint only | \$ 129.00 |
| 9. | Steering Shaft, Complete Assembly | | |
| | RNS014 | Range Rover | '87-'94 \$ 255.00 |
| | RNS015 | Range Rover & Discovery I | '95 \$ 299.00 |

Track Rod Cross Rod Range Rover Classic, Discovery I

- | | | | |
|-----|---------------------------|---|--------------------|
| 10. | RNS069 | Ball Joint Assembly for Cross Rod | RH Thread \$ 36.50 |
| | RNS070 | | LH Thread \$ 36.50 |
| 11. | RNS076 | Securing Clamp* | \$ 1.95 |
| 12. | RNS073 | Bolt for Clamp* | \$.95 |
| 13. | RNS074 | Flat Washer* | \$.30 |
| 14. | RNS075 | Nut* | \$.50 |
| 15. | RNS084 | Ball Joint Repair Kit / Steering Drop Arm | \$ 55.50 |
| 16. | Drop Arm for Steering Box | | |
| | RNS080 | Range Rover | '87-'91 \$ 294.50 |
| | RNS077 | Range Rover & Discovery I | '92-'95 \$ 135.00 |
| 17. | Lock Washer Drop Arm | | |
| | RNS078 | Range Rover | '87-'91 \$ 2.50 |
| | RNS071 | Range Rover & Discovery I | '92-'95 \$ 4.75 |
| 18. | RNS083 | Nut Steering Drop Arm | \$ 7.00 |
| 19. | RNS079 | Long Tube | \$ 99.50 |
| 20. | RNS069 | Ball Joint for Track Rod | \$ 36.50 |
| 21. | RNS091 | Track Rod Assembly | \$ 238.50 |
| 22. | RNS085 | Short Tube (Adjuster) | \$ 55.00 |
| 23. | RNS088 | Eye Cross Rod | \$ 92.50 |
| 24. | RNS081 | Cross Rod | \$ 27.50 |
| 25. | RNS122 | Steering Damper | \$ 75.00 |
| | * RNK553 | Clamp Kit tie rod ends (includes * items) | \$ 3.30 |



Genuine Parts Support

Hours: Mon-Fri: 7:30-5:30; Sat: 9-2:00; EST

Phone: (802) 879-0032

B rakes

Range Rover Classic Brakes Master Cylinder

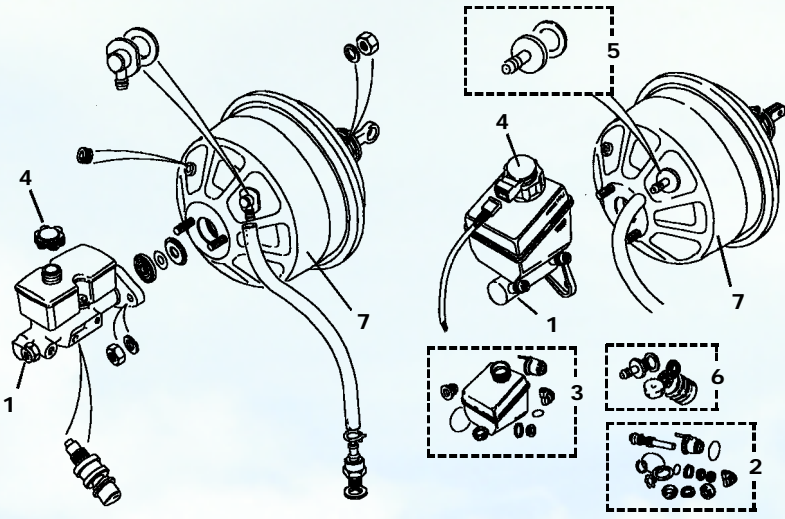
- | | | |
|-----------|---------------------------------------|----------|
| 1. RNB180 | Master Cylinder (Girling) | \$335.00 |
| RNB172 | Master Cylinder (Lockheed) | \$249.00 |
| 2. RNB174 | Master Cylinder Repair Kit (Girling) | \$129.00 |
| RNB175 | Master Cylinder Repair Kit (Lockheed) | \$ 47.75 |
| 3. RNB185 | Reservoir Repair Kit (Girling) | \$ 78.25 |
| RNB193 | Reservoir Cap (Girling) | \$ 45.25 |
| RNB194 | Reservoir Cap (Lockheed) | \$ 3.25 |
| 5. RNB173 | Non-Return Valve (Girling) | \$ 20.25 |
| RNB207 | Non-Return Valve (Lockheed) | \$ 19.25 |
| RNB211 | Seal for Lockheed Non-Return Valve | \$ 4.25 |
| 6. RNB209 | Servo Repair Kit (Girling) | \$ 33.50 |
| RNB210 | Servo Repair Kit (Lockheed) | \$178.50 |
| 7. RNB190 | Servo Assembly (Girling) | \$479.00 |
| RNB203 | Servo Assembly (Lockheed) | \$519.00 |

Brakes Front

- | | | |
|------------|--|-------------|
| 8. RNB001 | Front axle set brake pads, non ABS | \$ 65.00 |
| RNB002 | Front axle set brake pads, ABS & Hunter | \$ 59.75 |
| 9. RNB014 | Front caliper assembly, non ABS | RH \$399.00 |
| RNB015 | Front caliper assembly, non ABS | LH \$399.00 |
| RNB011 | Front caliper assembly, ABS & Hunter | RH \$290.00 |
| RNB017 | Front caliper assembly, ABS & Hunter | LH \$290.00 |
| 10. RNB023 | Bleeder for all calipers | \$ 3.00 |
| 11. RNB013 | Cap for bleeder | \$.75 |
| 12. RNB024 | Piston all models, front | \$ 19.50 |
| 13. RNB016 | Seal kit for all front calipers (2 required) | \$ 14.75 |
| 14. RNB006 | Front brake disc, non ABS | \$115.00 |
| RNB022 | ABS and Hunter | \$ 89.75 |
| 15. RNB020 | Seal for caliper all models, front | \$ 3.50 |

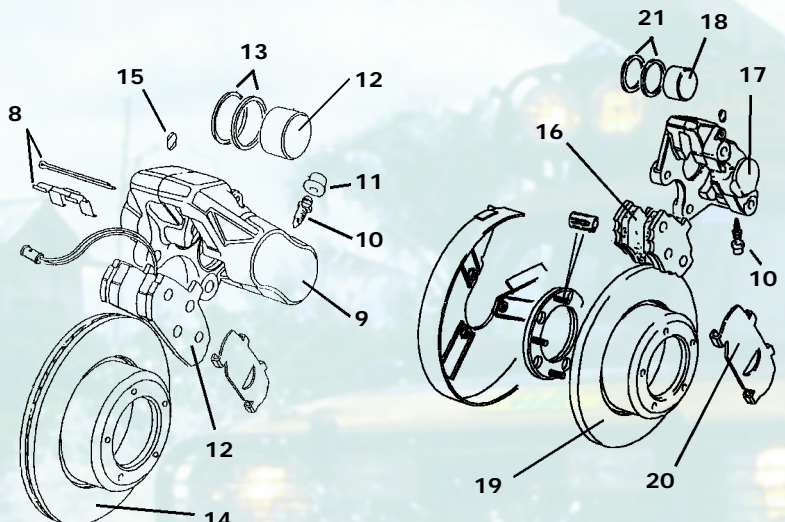
Brakes Rear

- | | | |
|------------|---|-------------|
| 16. RNB004 | Rear axle set brake pads, non ABS RH sensor | \$ 55.50 |
| RNB005 | Rear axle set brake pads, non ABS LH sensor | \$ 55.50 |
| RNB003 | Rear axle set brake pads, ABS & Hunter | \$ 59.50 |
| 17. RNB018 | Rear caliper assembly, all models | RH \$269.00 |
| RNB010 | Rear caliper assembly, all models | LH \$269.00 |
| 18. RNB009 | Rear piston all models | \$ 19.75 |
| 19. RNB012 | Rear brake disc all models | \$ 89.75 |
| 20. RNB007 | Shim for rear pads all models, outer | RH \$ 2.50 |
| RNB008 | Shim for rear pads all models, outer | LH \$ 2.50 |
| 21. RNB021 | Seal for caliper all models, rear | \$ 1.25 |
| RNB016 | Seal kit for all rear calipers (1 required) | \$ 14.75 |



RANGE ROVER CLASSIC - LOCKHEED UP TO 1987

RANGE ROVER CLASSIC - GIRLING FROM 1988 - 1991



RANGE ROVER CLASSIC - FRONT

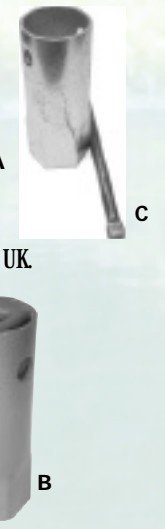
RANGE ROVER CLASSIC - REAR

Hubnut Socket Tools

A) The right tool for removing and refitting the hub bearing lock nuts. TBS89B \$15.00

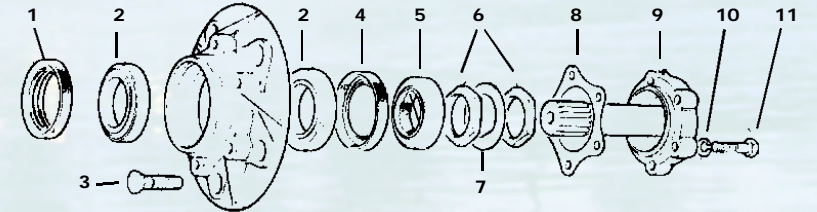
B) Same tool as above but with 1" drive socket attachment. Made in the UK. TBS89 \$29.50

C) Steel bar for tools A,B RNT0004 \$5.75



Wheel Hub & Brake Assembly For Range Rover Classics - '87 on

- | | | |
|-----------|-------------------------------|----------|
| 1. RNH001 | Inner Hub Seal | \$ 4.95 |
| 2. RNH003 | Bearing | \$ 27.00 |
| 3. RNH012 | Wheel Stud | \$ 3.50 |
| 4. RNH002 | Outer Hub Seal / non ABS only | \$ 21.50 |
| 5. RNH013 | Sealing Race / non ABS only | \$ 29.75 |
| 6. RNH006 | Hub Nuts | \$ 5.25 |
| 7. RNH004 | Lock Washer / non ABS only | \$ 1.75 |
| RNH005 | ABS only | \$ 1.65 |
| 8. RNH007 | Hub Gasket | \$.75 |



- | | | |
|------------|------------------------------|----------|
| 9. RNH010 | Drive Member with Stub Axle | \$259.00 |
| RNH009 | Without Stub Axle / ABS only | \$123.50 |
| 10. RNH011 | Locker | \$.40 |
| 11. RNH008 | Bolt for Drive Member | \$ 2.00 |



Genuine Parts Support

Hours: Mon-Fri: 7:30-5:30; Sat: 9-2:00; EST

Phone: (802) 879-0032

B rakes

Discovery Series I Brakes Master Cylinder

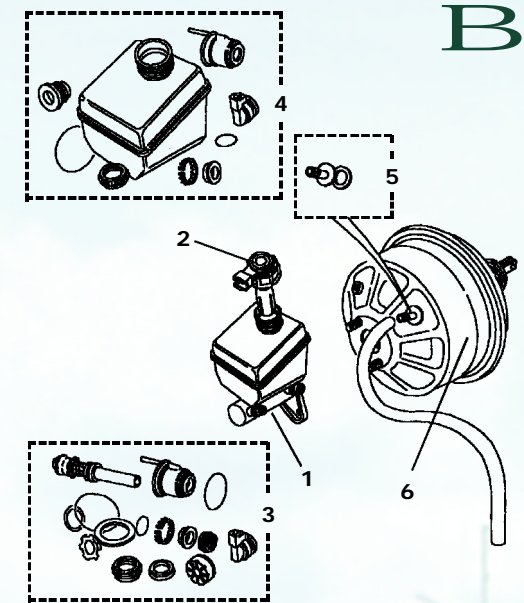
- | | | |
|-----------|-----------------------------|----------|
| 1. RNB200 | Master Cylinder | \$329.00 |
| 2. RNB193 | Master Cylinder Cap | \$ 45.25 |
| 3. RNB300 | Master Cylinder Rebuild Kit | \$245.00 |
| 4. RNB188 | Reservoir Rebuild Kit | \$ 97.50 |
| 5. RNB173 | Non-Return Valve | \$ 20.25 |
| 6. RNB190 | Servo Assembly | \$479.00 |

Brakes Front

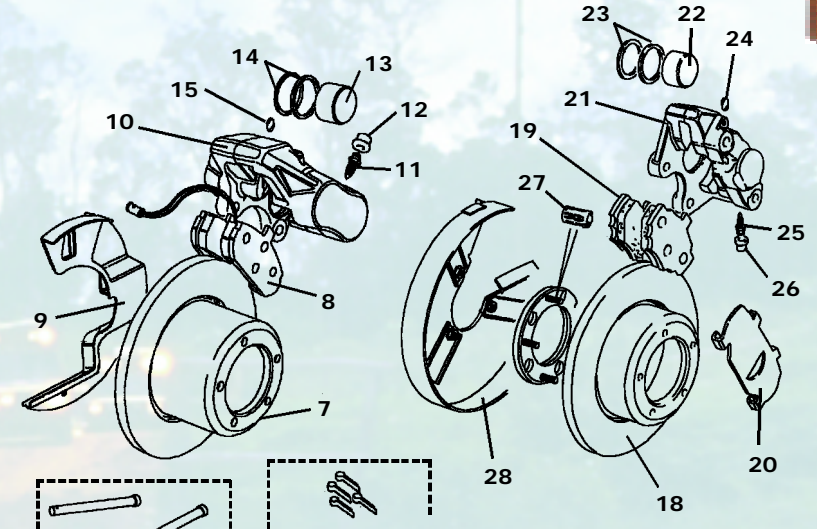
- | | | |
|------------|--------------------------------------|-------------|
| 7. RNB006 | Brake Disc | \$115.00 |
| 8. RNB208 | Brake Pad Axle Set | \$ 82.50 |
| 9. RNB177 | Mud Shield | LH \$ 14.50 |
| RNB178 | Mud Shield | RH \$ 14.50 |
| 10. RNB191 | Caliper | LH \$290.00 |
| RNB192 | Caliper | RH \$290.00 |
| 11. RNB023 | Bleed Nipple | \$ 3.00 |
| 12. RNB013 | Dust Cover | \$.75 |
| 13. RNB176 | Caliper Piston Kit (Includes RNB016) | \$ 97.50 |
| 14. RNB016 | Seal Kit | \$ 14.75 |
| 15. RNB020 | Seal | \$ 3.50 |
| 16. RNB204 | Brake Pad Retention Kit | \$ 8.50 |
| 17. RNB199 | Pad Retention Pins | \$ 13.00 |

Brakes Rear

- | | | |
|------------|---|-------------|
| 18. RNB012 | Brake Disc | \$ 89.75 |
| 19. RNB195 | Brake Pad Axle Set (Includes Pad Retention Kit) | \$ 53.35 |
| 20. RNB008 | Shim R.H. inner/L.H. outer | \$ 2.50 |
| RNB007 | Shim L.H. inner/R.H. outer | \$ 2.50 |
| 21. RNB197 | Caliper | LH \$189.00 |
| RNB198 | Caliper | RH \$189.00 |
| 22. RNB246 | Caliper Piston Kit (Includes RNB016) | \$ 31.50 |
| 23. RNB016 | Seal Kit | \$ 14.75 |
| 24. RNB021 | Seal | \$ 1.25 |
| 25. RNB023 | Bleed Nipple | \$ 3.00 |
| 26. RNB013 | Dust Cover | \$.75 |
| 27. RNS106 | ABS Sensor Bushing | \$ 23.50 |
| 28. RNB206 | Mudshield | LH \$ 26.50 |
| RNB205 | Mudshield | RH \$ 26.50 |



DISCOVERY SERIES I



DISCOVERY SERIES I - FRONT

DISCOVERY SERIES I - REAR

Genuine Brake Kits

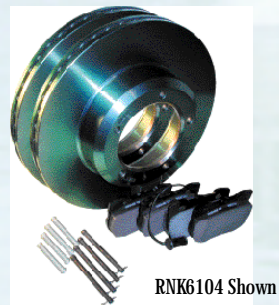
To ensure no squeal, no fade stopping in all conditions, fit only Land Rover Genuine Brake Parts. Safety First! Kits Include: 2 Brake discs, brake pads and hardware. Beware of the cheap imitations the competition sells!

Range Rover Classic

- | | | |
|---------|-------------------------------|-----------|
| RNK6101 | Front Brakes w/o ABS | \$ 335.00 |
| RNK6102 | Rear Brakes w/o ABS LH Sensor | \$ 225.00 |
| RNK6103 | Rear Brakes w/o ABS RH Sensor | \$ 225.00 |
| RNK6104 | Front Brakes w/ABS | \$ 240.00 |
| RNK6105 | Rear Brakes w/ABS | \$ 230.00 |

Discovery I

- | | | |
|---------|--------------|-----------|
| RNK6106 | Front Brakes | \$ 350.00 |
| RNK6107 | Rear Brakes | \$ 230.00 |



ROVERS NORTH

Order on-line: www.roversnorth.com

Hours: Mon-Fri: 7:30-5:30; Sat: 9-2:00; EST

Phone: (802) 879-0032

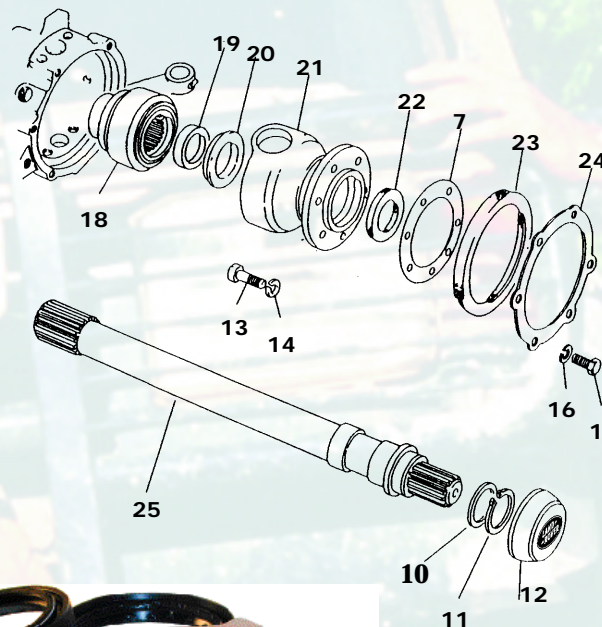
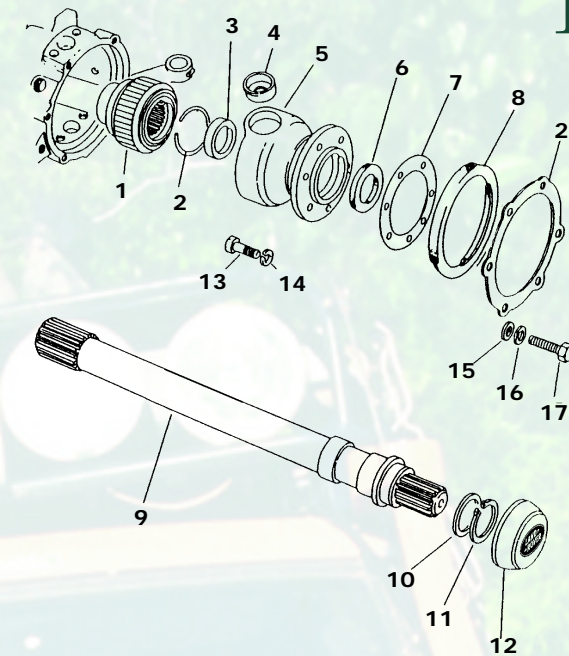
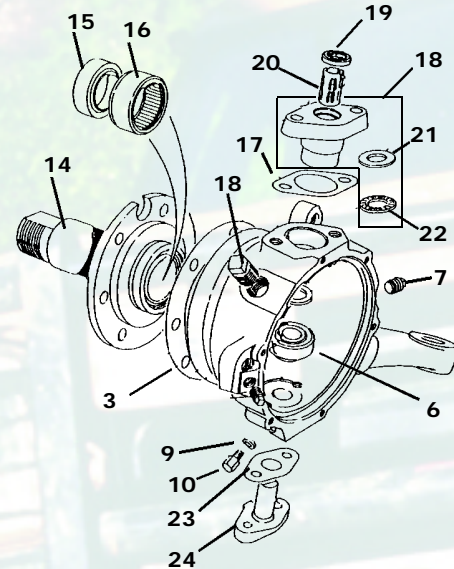
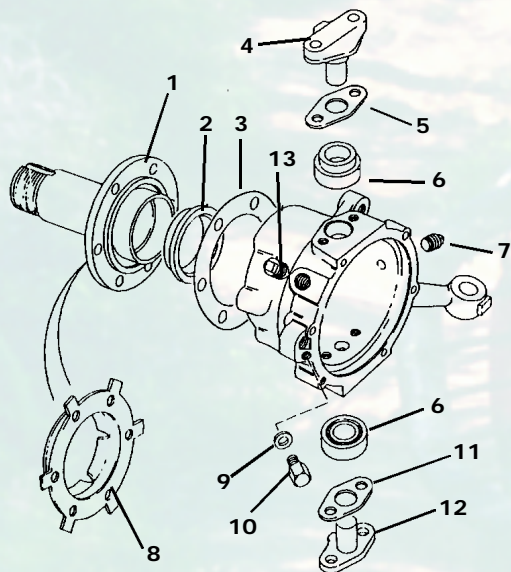
Drivetrain - Swivel Balls

Swivel Pin Housing Non ABS Models 1987 thru 1989

- | | | |
|----------------------|---------------------|-----------|
| 1. Hub Spindle | | |
| RNH014 | Suffix A Axles | \$ 225.00 |
| RNH015 | Suffix B Axles on | \$ 363.50 |
| 2. RNS016 | Bushing for Spindle | \$ 11.50 |
| 3. RNH021 | Gasket | \$ 1.75 |
| 4. RNS082 | Top Swivel Pin | \$ 71.25 |
| 5. Shims for Top Pin | | |
| RNS093 | .003 | \$ 1.25 |
| RNS094 | .005 | \$ 1.25 |
| RNS095 | .010 | \$ 1.50 |
| RNS096 | .030 | \$ 1.25 |
| 6. RNS086 | Swivel Bearing | \$ 24.50 |
| 7. RNS092 | Plug for oil level | \$ 2.00 |
| 8. RNS103 | Mudshield | \$ 6.50 |
| 9. RNS090 | Sealing Washer | \$.45 |
| 10. RNC061 | Drain Plug | \$ 1.25 |
| 11. RNS087 | Gasket | \$ 2.50 |
| 12. RNS104 | Bottom Swivel Pin | \$ 49.00 |
| 13. RNS105 | Filler Plug | \$ 4.95 |

Swivel Pin Housing ABS Models 1990 on

- | | | |
|-----------------------|-------------------|----------|
| 14. RNH016 | Hub Spindle | \$ 79.00 |
| 15. RNH023 | Oil Seal | \$ 9.50 |
| 16. RNH018 | Bearing | \$ 9.75 |
| 17. Shims for Top Pin | | |
| RNS097 | .003 | \$.95 |
| RNS098 | .005 | \$ 1.75 |
| RNS099 | .010 | \$.75 |
| RNS100 | .030 | \$.90 |
| 18. RNS102 | Top Swivel Pin | \$ 46.50 |
| 19. RNS108 | Seal for Bushing | \$ 9.00 |
| 20. RNS106 | Bushing ABS | \$ 23.50 |
| 21. RNS107 | Thrust Washer | \$ 2.00 |
| 22. RNS109 | Thrust Bearing | \$ 3.25 |
| 23. RNS101 | Gasket | \$ 1.25 |
| 24. RNS110 | Bottom Swivel Pin | \$ 65.25 |



Drivetrain - Axles

Swivel Ball Assembly ABS Models

- | | | |
|--------------------------|--------------------------------------|----------|
| 1. RNX001 | CV Joint | \$443.00 |
| 2. RNX020 | Circlip | \$ 2.00 |
| 3. RNX031 | Distance Sleeve | \$ 14.75 |
| 4. RNX038 | Bushing for Top Pin | \$ 47.50 |
| 5. RNX019 | Swivel Ball ABS | \$285.00 |
| 6. RNX035 | Oil Seal | \$ 7.50 |
| 7. RNX024 | Gasket | \$ 1.85 |
| 8. RNX029 | Oil Seal for Swivel Ball | \$ 15.00 |
| 9. Front Half Axle Inner | | |
| RNX017 | Right | \$175.00 |
| RNX018 | Left | \$245.00 |
| 10. Shims | | |
| RNX006 | .450 | \$ 1.90 |
| RNX007 | .600 | \$ 4.25 |
| RNX008 | .750 | \$ 4.25 |
| RNX009 | .900 | \$ 4.25 |
| RNX010 | 1.050 | \$ 6.50 |
| RNX011 | 1.200 | \$ 3.25 |
| RNX012 | 1.350 | \$ 4.25 |
| RNX013 | 1.500 | \$ 3.25 |
| RNX014 | 1.650 | \$ 3.25 |
| 11. RNX040 | Circlip | \$ 1.00 |
| 12. RNX021 | Plastic Cap with LR Logo | \$ 1.75 |
| 13. RNX022 | Bolt Swivel Ball to Axle Housing | \$ 1.25 |
| 14. RNX023 | Washer | \$.60 |
| 15. RNX034 | Washer | \$.80 |
| 16. RNX015 | Locker | \$.15 |
| 17. RNX016 | Bolt Seal Retainer to Swivel Housing | \$.75 |

Swivel Ball Assembly Non ABS Models

- | | | |
|------------------------------|---------------------|----------|
| 18. CV Joint | | |
| RNX004 | Suffix A Axles only | \$279.75 |
| RNX005 | Suffix B Axles on | \$355.00 |
| 19. Spacer | | |
| RNX030 | Suffix A Axles | \$ 4.25 |
| RNX031 | Suffix B Axles on | \$ 14.75 |
| 20. RNX037 | Distance Sleeve | \$ 4.75 |
| 21. RNX026 | Swivel Ball | \$275.00 |
| 22. RNX035 | Oil Seal | \$ 7.50 |
| 23. Oil Seal for Swivel Ball | | |
| RNX028 | 12.5mm thick | \$ 29.75 |
| RNX029 | 9.0 mm thick | \$ 15.00 |
| 24. RNX036 | Seal Retainer | \$ 6.00 |
| 25. Front Half Axle Inner | | |
| RNX032 | Right | \$231.50 |
| RNX033 | Left | \$245.25 |



Hylomar Sealer
The official sealer used by Land Rover during assembly. Supplied in 3.5 oz. tubes. RNA681 \$8.25



Genuine Hub Seal Kits

Includes: Land Rover Genuine Parts hub seal, hub gasket and locker for hub nut (for one wheel).

- | | | |
|---------|---|----------|
| RNK5621 | Hub Seal Kit Range Rover without ABS | \$ 28.00 |
| RNK5622 | Hub Seal Kit Range Rover with ABS pre '93 | \$ 7.00 |
| RNK5623 | Hub Seal Kit '93 on RR Classic, Discovery I | \$ 6.50 |



Swivel Ball Grease Package

- | | | |
|--------|--|----------|
| RNX039 | Special Land Rover Grease. Each package does one swivel ball | \$ 10.75 |
|--------|--|----------|

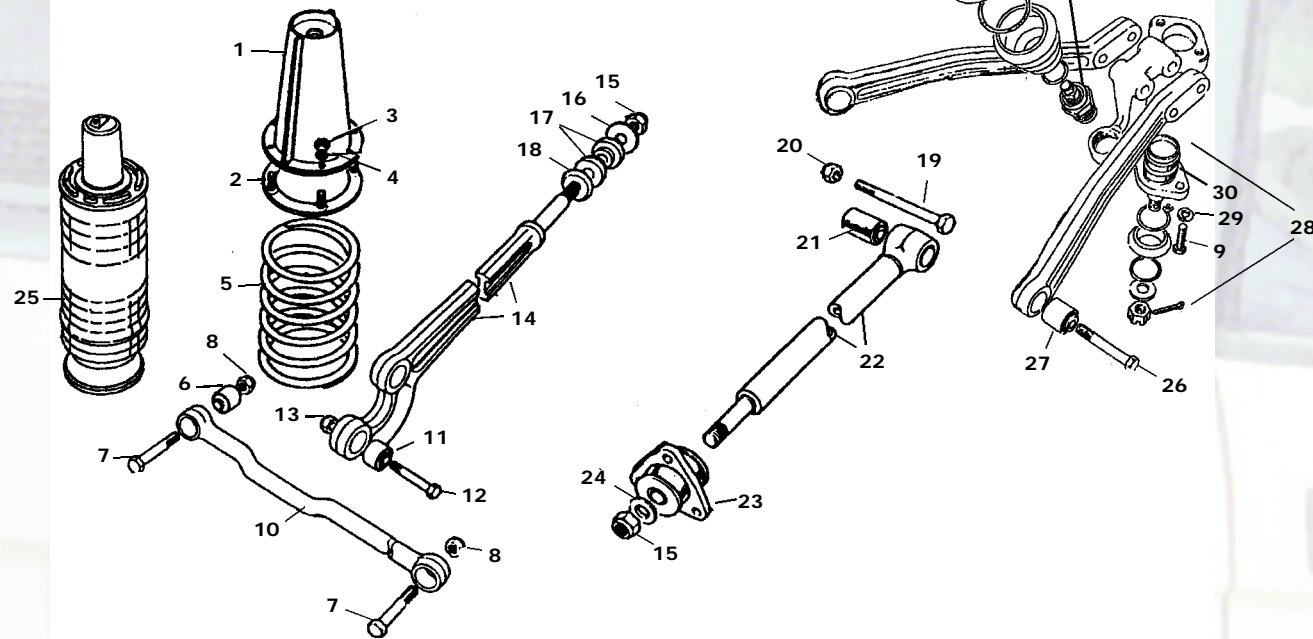
Genuine Swivel Ball Seal Kits

Includes: Land Rover Genuine Parts seals and gaskets for replacing leaking swivel ball seals.

- | | | |
|---------|------------------------------------|----------|
| RNK5610 | Non ABS Range Rover with 9mm seal | \$ 18.50 |
| RNK5611 | Non ABS Range Rover with 12mm seal | \$ 38.50 |
| RNK5612 | ABS Range Rover | \$ 29.50 |
| RNK5614 | Swivel Seal Kit, Discovery I | \$ 18.50 |



Suspension



Suspension Range Rover & Discovery I

1. RNS023	Shock Tower	\$ 55.50
2. RNS039	Securing Ring for shock tower	\$ 16.00
3. RNS034	Nut (4 per ring required)	\$.40
4. RNS037	Locker for nut	\$.40
5. Coil Springs Front:		
	LH Drivers Side	RH Passenger Side
RNS043	Standard \$ 95.00	RNS044 \$ 49.00
RNS050	Heavy Duty \$ 54.00	RNS051 \$ 54.00
RNS046	Extra HD \$ 59.00	RNS047 \$ 59.00
	Coil Springs Rear:	
RNS055	Standard RR \$105.00	RNS056 \$ 65.00
RNS048	Standard Disco \$ 59.00	RNS048 \$ 59.00
RNS041	HD RR, Disco \$ 85.00	RNS041 \$ 85.00
	"For spring kits see page 18"	
6. RNS049	Bushing for Panhard Rod	\$ 5.25
7. RNS052	Bolt for Panhard Rod	\$ 4.65
8. RNS058	Nyloc Nut	\$ 1.75
9. RNS059	Bolt for center ball joint	\$.45
10. RNS024	Panhard Rod Assembly with Bushings	\$115.00
11. Bushing for Radius Arm		
RNS057	Range Rover, Discovery I '87-'91	\$ 12.25
RNS060	Range Rover '92-'95	\$ 14.25
12. Bolt, Radius Arm to Axle		
RNS053	Range Rover '87-'95	\$ 4.25
RNS054	Discovery I	\$ 6.25
13. Lock Nut		
RNS062	Range Rover '87-'95	\$ 2.50
RNS063	Discovery I	\$ 1.95
14. Front Radius Arm Assembly with Front Bushings	(Please quote VIN for pricing)	
15. RNS026	Lock Nut	\$ 6.50
16. RNS027	Flat Washer	\$ 6.00
17. RNS028	Bushing, Arm to Chassis	\$ 4.25
18. RNS029	Dished Washer	\$ 3.50
19. RNS030	Bolt, Bottom Link to Axle	\$ 4.50
20. RNS031	Lock Nut	\$ 2.00
21. RNS040	Bushing, Bottom Link to Rear Axle	\$ 13.00
22. RNS038	Bottom Link Assembly with bushing	\$ 89.50
23. RNS033	Bushing set, includes right & left	\$ 49.25
24. RNS032	Washer	\$ 1.50
25. Air Spring		
RNS035	Range Rover Front	\$295.00
RNS036	Range Rover Rear	\$295.00
26. RNS068	Bolt for top link	\$ 9.00
27. RNS067	Bushing top link	\$ 21.75
28. RNS072	Ball Joint Assembly	\$ 69.00
29. RNS037	Locker	\$.40
30. RNS072	Ball Joint	\$ 69.00
31. RNS112	Ball Joint	\$ 37.95
32. RNS133	Bushing	\$ 9.62
33. RNS119	Strap	\$ 10.50
34. RNS124	Ball Joint	\$105.87
35. RNS115	Bushing	\$ 1.95
36. RNH050	Pin	\$ 14.50
37. RNH045	Nut	\$ 1.06
38. RNH037	Nut	\$ 1.92
39. RNH041	Washer	\$ 1.25
40. RNH043	Washer	\$ 1.32

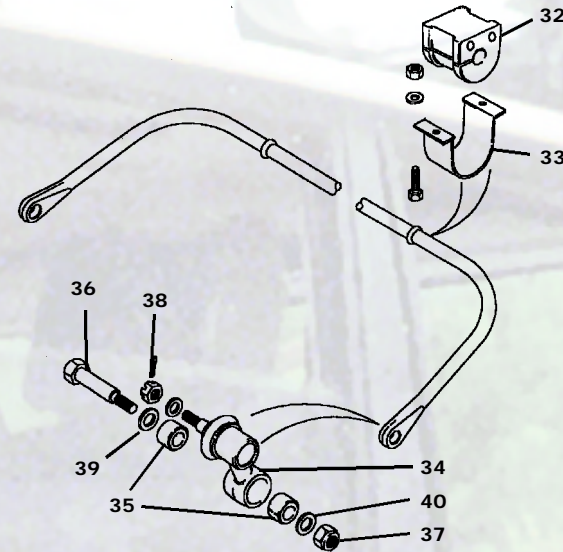


Genuine Parts Support

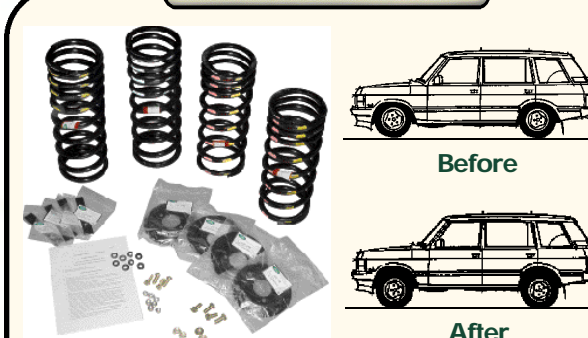
Order on-line: www.roversnorth.com

ROVERS NORTH

Suspension/Wheels



Range Rover Classic shown with "Sports RNW212" wheels.



Genuine Coil Conversion for LWB Air Suspension

Tired of losing sleep over your collapsed air suspension? Land Rover designed and built into the Range Rover Classic LWB a fantastic air suspension system that was way ahead of it's time. However, when a malfunctioning component needs repair or replacement, it can get expensive and time consuming fast. Do away with all the air suspension hassle and expense by converting your Range Rover Classic LWB to a **Land Rover Genuine Parts**-equipped coil sprung Range Rover. This kit contains everything for the proper conversion and continued reliable on or off-road performance. Includes detailed instructions. Also available as an OME kit RNK5105A.

RNK5105 Coil Spring Conversion Kit Range Rover Classic LWB \$ 345.00

Genuine Suspension Bushing Kits

Includes: all **Land Rover Genuine Parts** bushings and hardware for replacing suspension bushings on coil sprung vehicles.

RNK5910 Front Suspension Pre '86 Range Rover \$ 165.00
RNK5911 Rear Suspension Pre '86 Range Rover \$ 210.00
RNK5912 Front Suspension 86-90 Range Rover \$ 115.00
RNK5913 Rear Suspension 86-92 Range Rover \$ 175.00
RNK5914 Front Suspension 91->Range Rover \$ 119.00
RNK5915 Rear Suspension 93 > Range Rover \$ 185.00
RNK5918 Front Suspension Discovery I \$ 119.00
RNK5915 Rear Suspension Discovery I \$ 185.00

Wheel Nuts



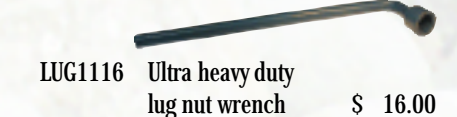
For Alloy Wheels

RNX041	Through 1992	\$ 10.75ea
RNX043	Stainless Steel capped 1993 on	\$ 11.75ea



For Optional Steel Wheels

RNS066	For Steel wheel nuts	\$ 4.50ea
Locking Wheel Nut Set		
RNW217	4 Alloy, 1 steel	\$ 112.00
RNW219	5 Alloy	\$ 115.00
RNW221	5 Steel	\$ 119.00



LUG1116 Ultra heavy duty lug nut wrench \$ 16.00



Genuine Parts Support

Deep Dish
RNW215
\$355.00ea.



Tornado
RNW211
\$295.00ea.



Cast
RNW212
\$289.00ea.



Styled
RNW214
\$369.00ea.



Sports
RNW212
\$369.00ea.



Vented Steel
RNW216
\$97.85ea.



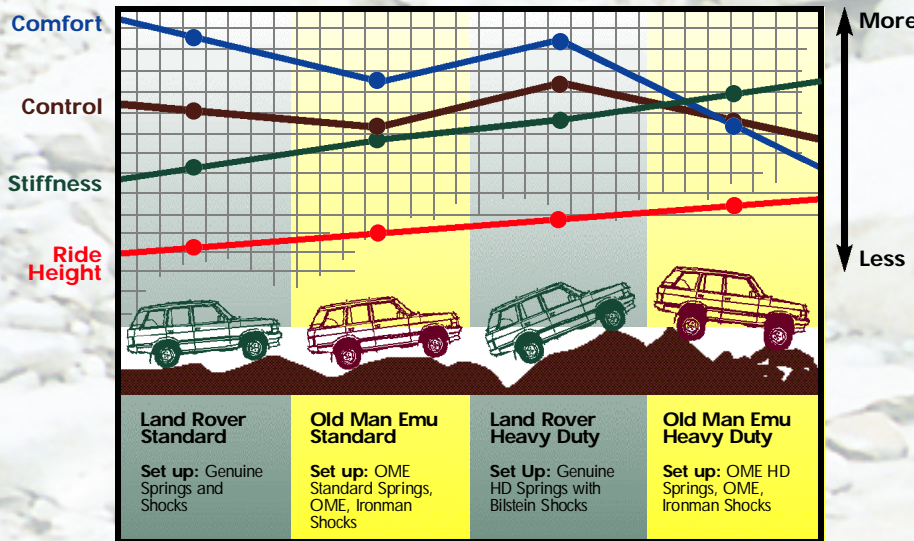
Plastic wheel center caps sold separately. Please inquire.

Hours: Mon-Fri: 7:30-5:30; Sat: 9-2:00; EST

Phone: (802) 879-0032

Suspension / Springs

Suspension Setup Chart



Replace your worn & tired bushings

with an Ironman Polyurethane Bushing Kit. It used to be if you wanted the superior durability of polyurethane suspension bushings you had to endure the firmer ride they offered. All that has changed, thanks to a breakthrough by Iron Man 4x4 Suspension of Australia. Made from soft-poly, this kit replaces 100% of your Land Rover's suspensions bushings.

Complete Kit:

ISPO005	Range Rover Classic '87 to '93	\$ 199.00
ISPO003	Discovery I	\$ 199.00



BILSTEIN Born to Perform.

Bilstein® is the world leader in gas-pressurized shock absorber technology. Proven with more racing wins than any other shock absorber on the market, this same "race bred" monotube design and performance is now available for your Range Rover Classic or Discovery. Technically the most advanced shock today, Bilstein utilizes a one piece seamless monotube design filled with oil and nitrogen gas in a pressurized, sealed compartment. This design completely eliminates any foaming of the oil and the monotube design helps dissipate heat to prevent shock fade. Bilstein's shock bodies are precision formed through a unique seamless manufacturing process. Our pick for the longest lasting, highest performance shock where on-road handling is a priority. Recommended use with Land Rover Genuine standard or heavy duty springs. Great for off-road driving in normally equipped vehicles. Not recommended for heavily laden vehicles with oversize tires. Lifetime warranty.



These gas-pressurized shock absorbers developed by Ironman of Australia,

are the perfect complement to vehicles fitted with standard or heavy-duty springs that normally run unladen for everyday use, but are often loaded with heavy equipment on the weekend. Ironman's responsive valve technology allows shock pressure to increase as the vehicle is used over harsh terrain. Shock kits include polyurethane bushings and hardware.



OLD MAN EMU

Built Tough In Australia For World Conditions.

Old Man Emu shocks are designed, tested & built in Australia for Land Rover owners who require heavy-duty shocks, off-road performance and maximum load capacity. Recommended in applications where more dampening is needed for use with oversize tires. Shock kits include polyurethane bushings and hardware.

	Range Rover Classic with Coil Springs	
RNA243/4	Set of four shocks	\$ 299.00
RNA243/5	+ Steering stabilizer	\$ 375.00

	Range Rover Classic LWB with Air Suspension	
RNA2152/3	Set of four shocks	\$ 385.00

	Discovery I	
RNA243/4	Set of four shocks	\$ 299.00
RNA243/5	+ Steering stabilizer	\$ 375.00

	Discovery II	
RNA6046/7	Set of four shocks	\$ 329.00

	Range Rover Classic	
ISP0007	Set of four	\$ 269.00

	Discovery I	
ISP0007	Set of four	\$ 269.00

	Range Rover Classic	
OMESKRR	Set of four	\$ 305.00

	Discovery I	
OMESKDS1	Set of four	\$ 305.00

	Discovery II	
OMESKDS2	Set of four	\$ 305.00

Suspension

Suspension



Genuine Parts

Land Rover Heavy Duty Springs. Expedition quality for maximum control and comfort.

Absolutely outperforms the competition in continuous off-road use. Proven after years of testing in our own driving school vehicles. These springs will go great with Bilstein, Ironman or OME shock absorbers depending on your vehicle's laden weight.



RNK5104	RR Classic 100" Set of four springs	\$ 260.00
RNK5103	Discovery I Set of four springs	\$ 260.00
RNK5114	Heavy Duty Range Rover (w/winch & heavy duty bumper)	\$ 285.00
RNK5113	Heavy Duty Discovery I (w/winch & heavy duty bumper)	\$ 285.00

OLD MAN EMU 4x4 STANDARD & HEAVY DUTY SPRINGS



Range Rover Classic & Discovery I

	Standard	Medium	Heavy Duty
Front	OME760	OME761	OME751
Rear	OME764	OME762	OME763

Discovery II

	Standard	Medium	Heavy Duty
Front	OME776	OME777	OME779
Rear	OME781	OME762	OME763

\$69.00ea



Complete OME Kits

Our choice for owners using oversized tires combined with heavy bumper winch comb. Providing as much suspension lift as possible exceeding factory specifications.

Discovery I		
OMEDS1K1	Standard	\$ 589.00
OMEDS1K2	Heavy Duty	\$ 589.00
OMESD11	Steering Damper	\$ 69.00
Discovery II		
OMEDS2K1	Standard	\$ 589.00
OMEDS2K2	Heavy Duty	\$ 589.00
Range Rover Classic		
OMERRK1	Standard	\$ 589.00
OMERRK2	Heavy Duty	\$ 589.00
OMESD11	Steering Damper	\$ 69.00



The Choice Combination

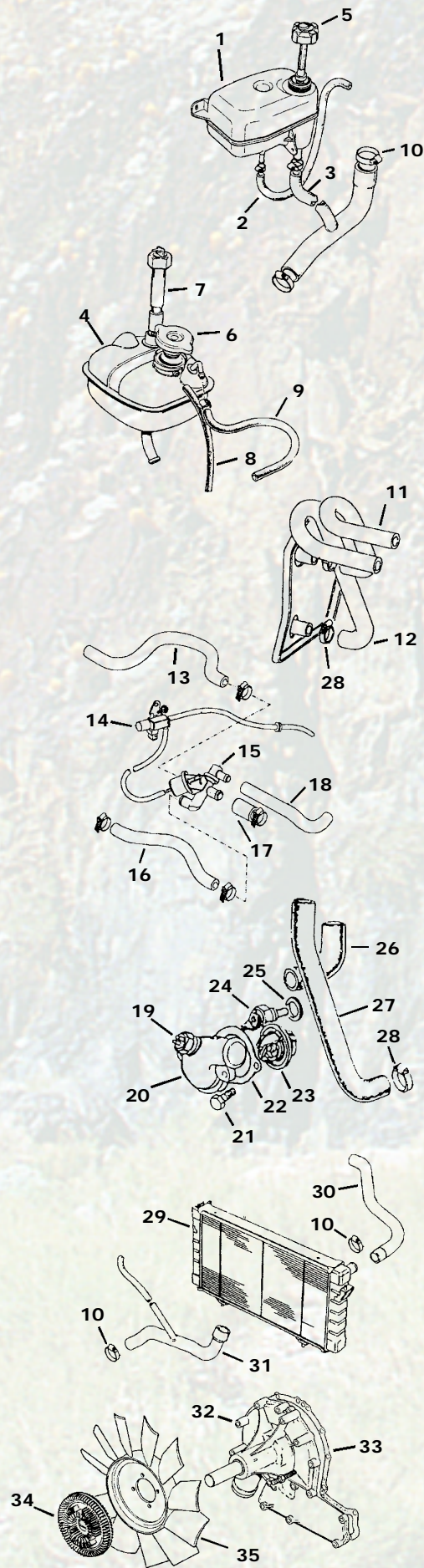
Land Rover Heavy Duty Springs & Bilstein Shocks. For owners using their Land Rovers in a mix of commuting and off-roading. Perfect for vehicles running factory size tires up to 245/75-16 with a moderate appointment of off-road equipment. Note: For heavier than normally laden vehicles, use Ironman or OME shocks.

Discovery I	RNK5213	\$ 580.00
Range Rover Classic, 100"	RNK5204	Standard \$ 555.00
Range Rover Classic, 100" w/winch	RNK5214	Standard \$ 580.00



Cooling Parts

1. RNC007	Tank, Range Rover and Discovery	3.9 ltr/4.2 ltr, '90 ->	\$ 56.00
2. RNC010	Small Bleed Hose Off Tank, RR	1990 on	\$ 11.75
RNC014	Small Bleed Hose Off Tank, Discovery	thru 1995	\$ 49.00
RNC016	Small Bleed Hose Off Tank, Discovery	'96-on	\$ 7.50
3. RNC008	Large Hose Off Tank	'90 and on	\$ 49.00
4. RNC015	Tank, Range Rover	3.5 ltr	\$179.00
5. RNC017	Filler Cap, 15 psi, Discovery	'95	\$ 8.00
6. RNC022	Filler Cap,	all 3.5 ltr/3.9 ltr through end of '89	\$ 4.50
7. RNC027	Filler Cap/Level Sensor, Range Rover	'90-'94	\$ 58.50
8. RNC009	Bleed Hose off Filler Neck, all	3.5 ltr/3.9 ltr	\$ 2.50
9. RNC032	Hose off Tank, all	3.5 ltr	\$ 7.50
10. RNC013	Hose Clamp		\$ 1.50
11. RNC025	Heater Inlet Hose, Range Rover	'87-'95	\$ 17.50
12. RNC021	Heater Outlet Hose, Range Rover	'87-'95	\$ 19.75
13. RNC033	Hose, Valve to Heater		\$ 7.75
14. RNC037	Vacuum solenoid		\$ 29.75
15. RNC024	Heater Valve (from RA -->)		\$ 28.50
16. RNC029	Hose, Heater to Valve		\$ 7.75
17. RNC030	Hose, Engine to Valve		\$ 2.50
18. RNC038	Hose, Valve to Engine		\$ 6.25
19. RNC045	Temp Switch for Fan		\$ 27.75
RNC023	Sealing Washer for Temp Switch		\$ 1.75
20. RNC040	Housing for Thermostat Range Rover	'87-'95	\$ 59.25
RNC041	Discovery I	3.9 ltr	\$112.00
21. RNC028	Fixing Bolt for Thermostat		\$.75
22. RNC046	Gasket for Thermostat		\$ 1.95
23. RNC047	Thermostat 88°C		\$ 9.50
24. RNC057	Temp Sender	3.5 ltr	\$ 45.50
RNC035		3.9 ltr thru '93	\$ 11.25
RNC036		4.0 ltr	\$ 13.25
25. RNC039	Sealing Washer	3.9 ltr	\$.35
26. RNC048	Hose Water Pump to Heater	3.5 ltr/3.9 ltr/ 4.2 ltr	\$ 11.75
27. RNC043	Hose Manifold to Heater Pipe RR	'87-'94	\$ 19.50
RNC056	Range Rover '95, Discovery I		\$ 7.75
28. RNC049	Hose Clamp	3.9 ltr	\$ 1.95
29. RNC020	Radiator Range Rover Classic	'87-'88	\$639.00
RNC019		'89-'92	\$799.00
RNC062		'93-'95	\$693.00
RNC060	Discovery I	Manual	\$630.00
RNC062		Auto	\$693.00
30. RNC044	Top Hose Range Rover Classic		\$ 18.50
31. RNC050	Bottom Hose Range Rover Classic	'87-'88	\$ 27.50
RNC051		'89	\$ 59.00
RNC008		'90-'95 on	\$ 49.00
32. RNC011	Water Pump with Gasket Range Rover	'87-'94	\$195.00
RNC052	Range Rover '95, Discovery I		\$ 84.75
33. RNC012	Gasket Water Pump, Range Rover	'87-'94	\$ 8.50
RNC053	Range Rover	'95	\$ 5.75
34. RNC018	Viscous Fan Clutch RR	'87-'94	\$259.00
RNC054	Range Rover '95, Discovery I		\$229.00
35. RNC031	Fan, 11 Blade, Range Rover Classic	'87-'95	\$189.00
RNC042	Fan, 9 Blade, Discovery I		\$ 89.00



Genuine Thermostat Kit

Includes: Land Rover Genuine Parts thermostat and gasket.

RNK167 Range Rover Classic and Discovery \$ 10.00



Genuine Radiator Hose Kits

Includes: Land Rover Genuine Parts top and bottom radiator hoses, manifold jacket hoses and all clamps.

RNK1611	Range Rover Classic 87 and 88	\$ 89.00
RNK1612	Range Rover Classic 1989	\$ 125.00
RNK1613	Range Rover Classic 90-94	\$ 115.00
RNK1614	Range Rover Classic 1995	\$ 149.00
RNK1614	Range Rover Classic IWB	\$ 149.00
RNK1616	Discovery I	\$ 125.00



Synthetic Oils

Amsoil is the best synthetic oil we have found. Superior formulation extends engine life and operating efficiency. Allows easier start-up in freezing weather and superior protection at high temps.

Amsoil 10w-40 Engine Oil

AMD01	100% synthetic engine oil, 10w-40/quart	\$ 6.50
SDF15	Amsoil oil filter	\$ 14.00

Amsoil 80w-90 Gear Oil

AGR01	100% synthetic gear oil, 80w-90/quart	\$ 8.50
AGR04	100% synthetic gear oil, 80w-90/gallon	\$ 36.00

Amsoil ATF

ATF	100% synthetic ATF/quart	\$ 8.50
-----	--------------------------	---------



When replacing the thermostat make sure it is oriented so the bleed port, or jiggle pin, is at the top. When the engine is running and coolant is circulating, the port allows air to escape when the thermostat is closed. An improperly oriented thermostat will cause air to be trapped and not allow you to properly bleed the cooling system.



Complete Genuine Cooling Hose Service Kits

Includes: Land Rover Genuine Parts radiator hoses, heater hoses, expansion tank hoses, thermostat, gasket and all necessary clamps.

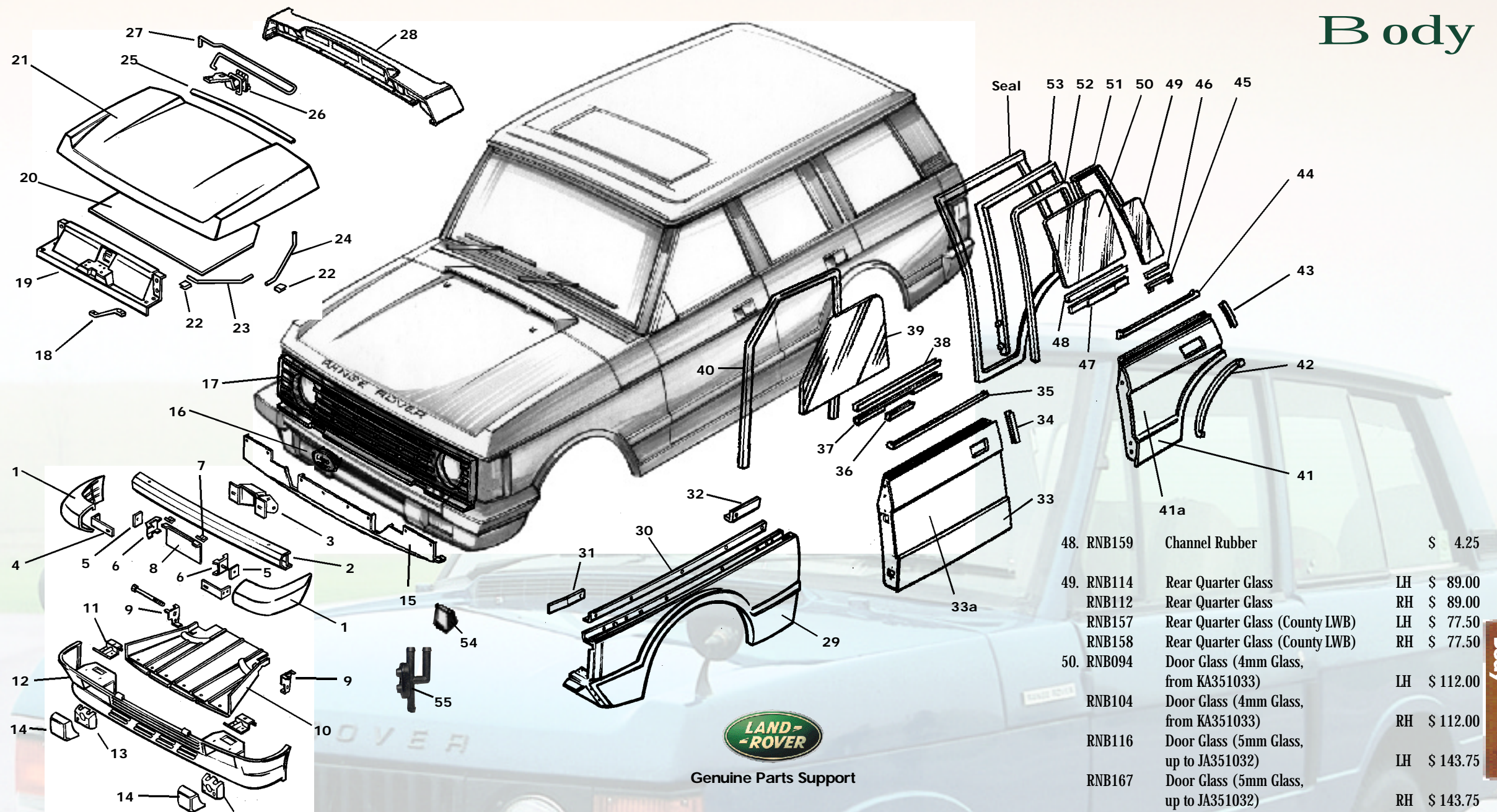
RNK1601	Range Rover Classic 87 and 88	\$ 170.00
RNK1602	Range Rover Classic 1989	\$ 220.00
RNK1603	Range Rover Classic 90-94	\$ 195.00
RNK1604	Range Rover Classic 1995	\$ 250.00
RNK1604	Range Rover Classic IWB	\$ 250.00



Range Rover Classic Radiator Hose Kit RNK1612 Shown

Range Rover Classic

1.	RNB231	Bumper Capping	LH	\$ 69.50
	RNB232	Bumper Capping	RH	\$ 69.50
	RNB303	Edge clip for bumper capping		\$ 1.15
2.	RNB186	Bumper Black		\$ 259.00
	RNB240	Bumper Chrome		\$ 829.00
3.	RNB220	Mounting Bracket	LH	\$ 16.75
	RNB221	Mounting Bracket	RH	\$ 16.75
	RNB244	Mounting Bracket	LH	\$ 5.75
	RNB245	Mounting Bracket	RH	\$ 5.75
5.	RNB140	Pad		\$ 1.00
6.	RNB234	Mounting Bracket		\$ 5.75
7.	RNB239	Mounting Bracket		\$ 2.50
8.	RNB223	Support Number Plate		\$ 15.75
9.	RNB187	Mounting Bracket		\$ 3.75
10.	RNB227	Engine Tray		\$ 185.00
11.	RNB224	Mounting Bracket	LH	\$ 17.25
	RNB225	Mounting Bracket	RH	\$ 17.25
12.	RNB230	Spoiler		\$ 233.50
13.	RNB215	Foam Insert, Crush Can	LH	\$ 8.50
	RNB216	Foam Insert, Crush Can	RH	\$ 8.50
14.	RNB258	Crush Can Cover	LH	\$ 24.50
	RNB259	Crush Can Cover	RH	\$ 24.50
15.	RNB265	Lower Panel (Up to JA351032)		\$ 69.00
	RNB247	Lower Panel (From KA351033)		\$ 76.75
16.	RNB255	Grille Badge (Up to JA351032)		\$ 29.75
	RNB267	Grille Badge (From KA351033)		\$ 12.50
17.	RNB228	Grille Panel		\$ 149.00
18.	RNB154	Cross Brace		\$ 10.25
19.	RNB252	Bonnet Locking Platform		\$ 224.00
20.	RNB275	Bonnet Insulation		\$ 62.50
21.	RNB182	Bonnet Assembly		\$ 818.00
22.	RNB251	Spring Clip		\$.55
23.	RNB238	Bonnet Insulation Rod		\$ 2.75
24.	RNB249	Bonnet Insulation Rod, Rear		\$ 5.50
25.	RNB229	Bonnet Seal		\$ 34.25
26.	RNB262	Hinge Assembly		\$ 24.75
27.	RNB253	Torsion Bar		\$ 22.75
28.	RNB273	Decker Panel (Exterior Hinges)		\$ 649.00
	RNB281	Decker Panel (Concealed Hinges)		\$ 589.00
29.	RNB254	Wing (Up to KA374641)	LH	\$ 355.00
	RNB288	Wing (Up to KA374641)	RH	\$ 355.00
	RNB257	Wing (From KA374642)	LH	\$ 425.75
	RNB250	Wing (From KA374642)	RH	\$ 425.75
30.	RNB183	Angle	LH	\$ 22.25
	RNB272	Angle	RH	\$ 22.25
31.	RNB196	Angle	LH	\$ 5.25
	RNB284	Angle	RH	\$ 5.25
32.	RNB248	Extension		\$ 22.25
33.	RNB289	Door Assembly (Up to JA351032)	LH	\$ 1180.25
	RNB278	Door Assembly (Up to JA351032)	RH	\$ 1180.25
	RNB286	Door Assembly (From KA351033)	LH	\$ 885.25
	RNB287	Door Assembly (From KA351033)	RH	\$ 885.25
	RNB276	Door Assembly (From SA647645)	LH	\$ 555.00
	RNB290	Door Assembly (From SA647645)	RH	\$ 555.00
33A.	RNB237	Outer Panel (Up to KA374641)	LH	\$ 468.50
	RNB214	Outer Panel (Up to KA374641)	RH	\$ 468.50
	RNB242	Outer Panel (From KA374642)	LH	\$ 285.50



LAND ROVER
Genuine Parts Support

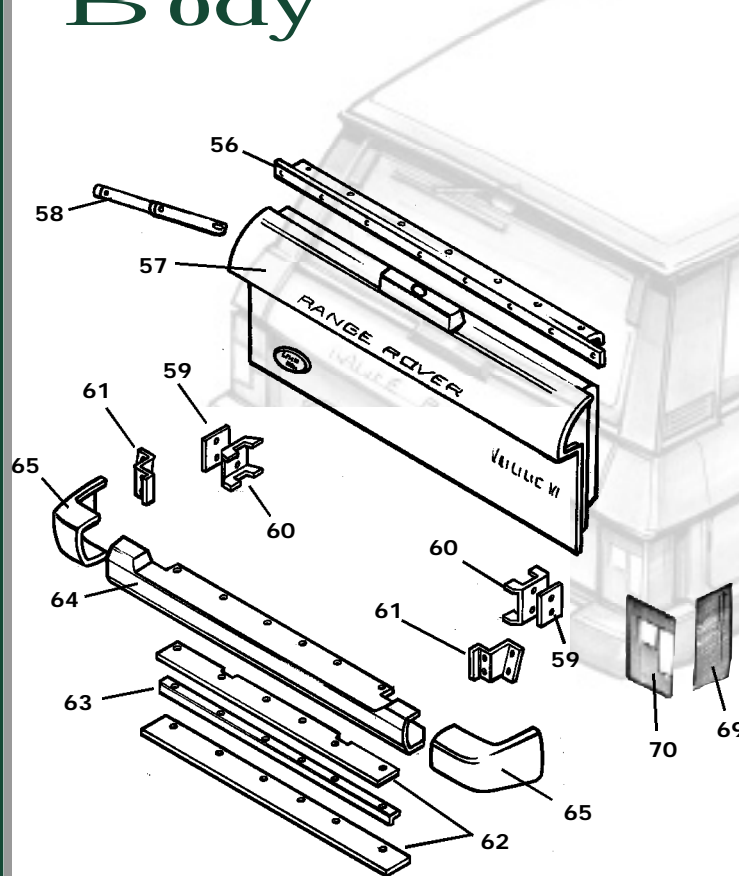
	RNB241	Outer Panel (From KA374642)	RH	\$ 285.50
34.	RNB298	Protector		\$ 3.00
35.	RNB235	Waist Seal	LH	\$ 99.25
	RNB236	Waist Seal	RH	\$ 99.25
36.	RNB295	Locating Channel		\$ 11.25
37.	RNB233	Lifting Channel		\$ 24.50
38.	RNB296	Glazing Rubber		\$ 5.75
39.	RNB256	Door Glass (4mm Glass)	LH	\$ 155.25
	RNB280	Door Glass (4mm Glass)	RH	\$ 155.25
	RNB277	Door Glass (5mm Glass)	LH	\$ 218.50
	RNB282	Door Glass (5mm Glass)	RH	\$ 218.50
40.	RNB147	Glazing Channel (4mm Glass)		\$ 44.25
	RNB212	Glazing Channel (5mm Glass)		\$ 37.75
41.	RNB226	Door Assembly (Up to JA351032)	LH	\$ 1095.50
	RNB222	Door Assembly (Up to JA351032)	RH	\$ 1095.50
	RNB164	Door Assembly (From KA351033)	LH	\$ 1266.25
	RNB165	Door Assembly (From KA351033)	RH	\$ 1266.25
	RNB219	Door Assembly (From KA374642)	LH	\$ 550.50
	RNB218	Door Assembly (From KA374642)	RH	\$ 550.50
	RNB184	Door Assembly (County LWB)	LH	\$ 825.00
	RNB243	Door Assembly (County LWB)	RH	\$ 825.00

41A.	RNB097	Outer Panel	LH	\$ 279.00
	RNB128	Outer Panel	RH	\$ 279.00
	RNB099	Outer Panel (County LWB)	LH	\$ 499.00
	RNB130	Outer Panel (County LWB)	RH	\$ 499.00
42.	RNB113	Seal	LH	\$ 55.50
	RNB138	Seal	RH	\$ 55.50
	RNB131	Seal (From NA617685)	LH & RH	\$ 34.50
43.	RNB127	Protector		\$.75
44.	RNB093	Waist Seal	LH	\$ 84.25
	RNB161	Waist Seal	RH	\$ 84.25
	RNB145	Waist Seal (County LWB)	LH	\$ 48.00
	RNB146	Waist Seal (County LWB)	RH	\$ 48.00
45.	RNB107	Channel Regulator	LH	\$ 9.00
	RNB108	Channel Regulator	RH	\$ 9.00
	RNB136	Channel Regulator (County LWB)	LH	\$ 5.00
	RNB320	Channel Regulator (County LWB)	RH	\$ 5.50
46.	RNB159	Glazing Seal		\$ 4.25
47.	RNB101	Lift Channel	LH	\$ 9.25
	RNB102	Lift Channel	RH	\$ 13.50

48.	RNB159	Channel Rubber		\$ 4.25
49.	RNB114	Rear Quarter Glass	LH	\$ 89.00
	RNB112	Rear Quarter Glass	RH	\$ 89.00
	RNB157	Rear Quarter Glass (County LWB)	LH	\$ 77.50
	RNB158	Rear Quarter Glass (County LWB)	RH	\$ 77.50
50.	RNB094	Door Glass (4mm Glass, from KA351033)	LH	\$ 112.00
	RNB104	Door Glass (4mm Glass, from KA351033)	RH	\$ 112.00
	RNB116	Door Glass (5mm Glass, up to JA351032)	LH	\$ 143.75
	RNB167	Door Glass (5mm Glass, up to JA351032)	RH	\$ 143.75
	RNB150	Door Glass (County LWB)	LH	\$ 71.00
	RNB151	Door Glass (County LWB)	RH	\$ 71.00
51.	RNB096	Seal		\$ 23.00
	RNB132	Seal (County LWB)		\$ 37.50
52.	RNB098	Channel Front and Top (4mm Glass, from KA351033)		\$ 21.50
	RNB098	Channel Front and Top (5mm Glass, up to JA351032)		\$ 21.50
	RNB123	Channel Front and Top (County LWB)		\$ 18.75
53.	RNB100	Frame (Up to KA374641)	LH	\$ 239.00
	RNB135	Frame (Up to KA374641)	RH	\$ 239.00
	RNB152	Frame (From KA374642)	LH	\$ 109.00
	RNB153	Frame (From KA374642)	RH	\$ 109.00
	RNB168	Frame (County LWB)	LH	\$ 113.50
	RNB095	Frame (County LWB)	RH	\$ 113.50
54.	RNB139	Headlamp Wash Jet (Range Rover)		\$ 11.25
	RNB160	Headlamp Wash Jet (Discovery I)		\$ 10.25
55.	RNB124	Tee Piece (Range Rover and Discovery I)		\$ 19.25

* This seal is attached to a plastic retainer that is molded in the interior color. Therefore, when ordering, please state interior color - Silver Fox (Up to JA351032), Sorrell Brown/Winchester Grey (From KA351033).

Body



Range Rover Classic - Body Rear

56. RNB053	Retainer (Up to JA319244)	\$ 28.30
RNB071	Retainer (From JA319245)	\$ 38.25
57. RNB217	Lower Tailgate	\$ 899.00
RNB083	Lower Tailgate (From PA624756)	\$ 825.00
58. RNB059	Stay	LH \$ 29.00
RNB082	Stay	RH \$ 29.00
59. RNB140	Pad	\$ 1.00
60. RNB234	Bracket	\$ 5.75
61. RNB134	Bracket	LH \$ 6.25
RNB119	Bracket	RH \$ 6.25
62. RNB081	Dust Seal	\$ 59.75
63. RNB144	Retaining Strip (Black)	\$ 35.00
RNB111	Retaining Strip (Chrome)	\$ 64.50
64. RNB156	Bumper (Black)	\$ 249.00
RNB103	Bumper (Chrome)	\$ 775.00
65. RNB080	Capping	LH \$ 59.50
RNB162	Capping	RH \$ 59.50

Range Rover Classic Exterior Lenses/Lamps

66. RNB072	Front Lamp (Up to MA610293)	LH \$ 93.25
RNB129	Front Lamp (Up to MA610293)	RH \$ 93.25
RNB143	Front Lamp (From NA610294)	LH \$ 89.00
RNB120	Front Lamp (From NA610294)	RH \$ 89.00
67. RNB085	Reflector	\$ 19.50
68. RNB149	Rear Lamp (Up to MA610293)	LH \$ 118.00
RNB141	Rear Lamp (Up to MA610293)	RH \$ 118.00
RNB091	Rear Lamp (From NA610294)	LH \$ 115.00
RNB057	Rear Lamp (From NA610294)	RH \$ 115.00
69. RNB090	Side Lens	LH \$ 38.50
RNB079	Side Lens	RH \$ 38.50
70. RNB109	Rear Lens	LH \$ 67.00
RNB110	Rear Lens	RH \$ 67.00
RNB122	Gasket	\$ 8.25
RNB089	Gasket	\$ 8.50

Discovery I cont'd

RNE754	Side Marker, Amber	LH \$ 9.25
RNE763	Side Marker, Amber	RH \$ 9.25
RNE757	Side Marker, Red	LH \$ 9.25
RNE773	Side Marker, Red	RH \$ 9.25
RNE672	Bulb	\$ 1.20
RNE790	O-Ring	\$.55
RNE803	Harness	\$ 79.50
RNH030	Screw	\$ 1.37
RNE756	Lamp Assembly Rear (Up to SA501704)	LH \$ 64.25
RNE782	Lamp Assembly Rear (Up to SA501704)	RH \$ 64.56
RNE785	Lamp Assembly Rear (From SA501705)	LH \$ 34.92
RNE779	Lamp Assembly Rear (From SA501705)	RH \$ 39.08
RNE770	Seal	LH \$ 36.07
RNE769	Seal	RH \$ 36.07
RNE784	Lamp Assembly Rear Bumper (Up to VA714019)	LH \$ 33.75
RNE758	Lamp Assembly Rear Bumper (Up to VA714019)	RH \$ 33.75
RNE799	Bulb Holder, Directional	\$ 4.50
RNE780	Bulb Holder, Park	\$ 12.50
RNE762	Bulb Holder, Reverse	\$ 11.85
RNE627	Bulb Directional	\$ 1.50
RNE626	Bulb Stop/Tail Lamp	\$ 1.35
RNE676	Bulb Park Lamp	\$ 1.95

Hella Vision Plus Range Rover Classic Headlamp Upgrade

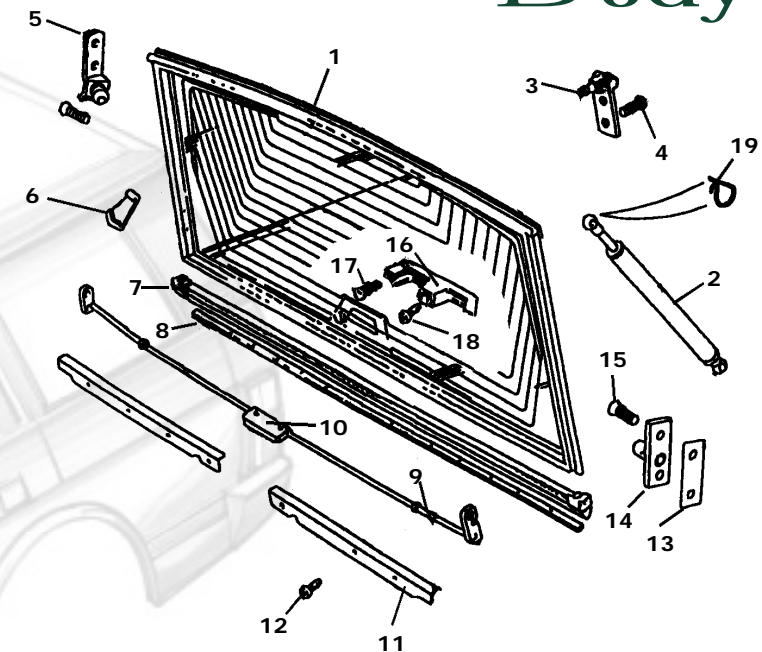
High performance European headlamp technology in a "street legal D.O.T." version. Most powerful, legally approved headlamp on the market. These headlamps provide a precise, focused beam pattern that turns night into day! A direct replacement for factory headlamps on Range Rover Classic. 60 watt high beam / 55 watt low beam. See pages 34-35 for more Hella lights. **Hella Vision Plus 70477 \$48.50ea**



Discovery I Exterior Lenses/Lamps

RNE816	Headlamp	LH \$ 105.87
RNE817	Headlamp	RH \$ 105.87
RNE800	Headlamp Bulb	\$ 5.75
RNE672	Sidelamp Bulb	\$ 1.20
RNE787	Bulb Holder	\$ 6.32
RNE788	Rubber Boot	\$ 25.85
RNE819	Headlamp Gasket	LH \$ 19.99
RNE820	Headlamp Gasket	RH \$ 19.99
RNE798	Headlamp Fixing Kit	\$ 26.12
RNE806	Socket Trimmer	\$ 2.75
RNE789	Front Indicator Lamp	LH \$ 40.15
RNE818	Front Indicator Lamp	RH \$ 39.65
RNE799	Bulb Holder	\$ 4.50
RNE627	Indicator Lamp Bulb	\$ 1.50
RNE810	Side Repeater Lamp	\$ 14.30
RNE672	Side Repeater Bulb	\$ 1.20
RNE790	O-ring	\$.55
RNE803	Harness	\$ 79.50
RNE812	Fog Lamp	LH \$ 115.00
RNE813	Fog Lamp	RH \$ 124.65
RNE675	Fog Lamp Bulb	\$ 4.75

Body



Range Rover Classic Upper Tailgate

1. RNB163	Tailgate Assembly (Without Stop Lamp) (Up to JA351032)	\$695.00
RNE794	Tailgate Assembly (Without Stop Lamp) (From KA351033)	\$1029.00
RNB166	Tailgate Assembly (With Stop Lamp) (From PA624756 to RA647644)	\$1089.00
RNB171	Tailgate Assembly (With Stop Lamp) (From PA624756 through 1995)	\$665.00
2. RNE795	Gas Spring	\$ 35.50
3. RNE778	Hinge	LH \$ 62.03
RNE768	Hinge	RH \$ 61.83
4. RNE796	Screw	\$ 1.25
5. RNE759	Bracket Support (Up to JA351032)	LH \$ 21.75
RNB264	Bracket Support (Up to JA351032)	RH \$ 21.75
RNE771	Bracket Support (From KA351033)	LH \$ 16.22
RNE765	Bracket Support (From KA351033)	RH \$ 15.00
6. RNE797	Clip	\$ 5.75
7. RNE781	Seal	\$110.55
8. RNE764	Retainer	\$ 36.30
9. RNB179	Lock Extension (Up to LA415633)	LH \$ 40.50
RNB181	Lock Extension (Up to LA415633)	RH \$ 40.50
RNB179	Lock Extension (From LA415634)	LH \$ 40.50
RNB181	Lock Extension (From LA415634)	RH \$ 40.50
10. RNB189	Lock	\$ 30.25
11. RNB201	Lock Cover	LH \$ 20.50
RNB270	Lock Cover	RH \$ 20.50
RNB274	Lock Cover (From KA35103)	RH \$ 24.60
12. RNB271	Screw	\$ 1.43
13. RNB260	Shim	\$ 2.57

14. RNB294	Striker	\$ 7.75
15. RNB202	Screw	\$ 1.10
16. RNB261	Handle (Up to JA351032)	\$130.50
RNB299	Handle (From KA351033)	\$ 96.50
RNB283	Operating Probe	\$ 2.50
17. RNB263	Screw	\$ 2.14
18. RNB297	Screw	\$ 1.92
19. RNB266	Clip	\$ 2.49

Aerosol Touch-up Paint*

When you need an exact colour match for small jobs. Easy to use 150ml can. Over sixty colours available. Call for pricing. *UPS requires \$17 hazardous material handling fee on aerosol paints. Ground shipments only, maximum 4 cans per package.



Decals

Range Rover

1. RNB073	Bonnet Decal, Grey (Up to KA399972)	\$ 19.75
RNB074	Bonnet Decal (L.S.E. Only)	\$ 51.75
RNB086	Bonnet and Tailgate Decal (Brown)	\$ 29.75
RNB142	Bonnet and Tailgate Decal (Silver)	\$ 29.75

RANGE ROVER

RNB118	Bonnet Decal, Dark Grey (Up to PA631126)	\$ 35.00
RNB148	Bonnet Decal, Mid Silver (Up to PA631126)	\$ 35.00
RNB092	Bonnet Decal, Black (From PA631127)	\$ 19.50
RNB088	Bonnet Decal, Silver (From RA639964)	\$ 31.50
RNB055	Bonnet Decal, Sorrell Brown (From RA639964)	\$ 31.50

Decals - Discovery I

RNB115	Tailgate Decal, Mid Silver	\$ 16.75
RNB155	Tailgate Decal, Grey	\$ 13.25
RNB169	Bonnet Decal, Mid Silver	\$ 35.75

2. RNB075	Tailgate Decal, Grey (Up to KA399972)	\$ 19.75
RNB087	Tailgate Decal (L.S.E. Only)	\$ 51.75
RNB133	Tailgate Decal, Dark Grey (Up to PA631126)	\$ 37.00

RANGE ROVER

RNB121	Tailgate Decal, Mid Silver (Up to PA631126)	\$ 37.00
RNB076	Tailgate Decal, Black (From PA631127)	\$ 19.50
RNB077	Tailgate Decal, Silver (From RA639964)	\$ 31.50
RNB078	Tailgate Decal, Sorrell Brown (From RA639964)	\$ 37.00

3. RNB084	Land Rover Badge	\$ 11.50
-----------	------------------	----------



RNB105	Bonnet Decal, Grey	\$ 35.75
RNB170	"V8i" Decal, Mid Silver	\$ 13.25
RNB106	"V8i" Decal, Grey	\$ 13.25

Touch-up Paint Pencils

Do you hate rock chips? One of the best solutions is to use Land Rover Genuine touch up paint pencils. Applicator attached to cap for easy use. Many colours available, please specify your factory colour name. **\$8.75 ea.**



Genuine Parts Support

Hours: Mon-Fri: 7:30-5:30; Sat: 9-2:00; EST

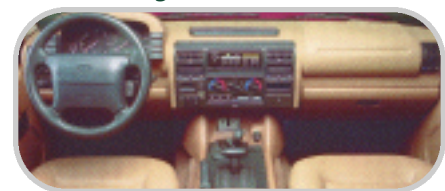
Phone: (802) 879-0032

Range Rover

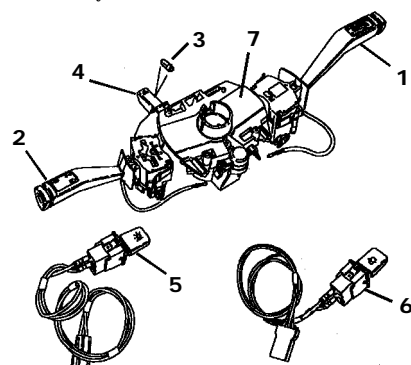


Range Rover Classic Dashboard - 1987-1994
Hella cockpit map light, see page 35.

Discovery

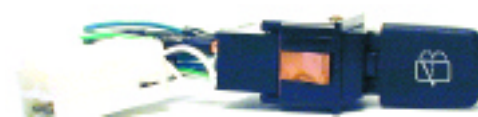


Discovery Series I Dashboard - 1996-1998



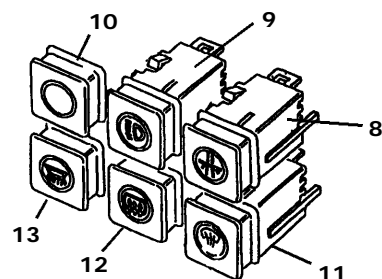
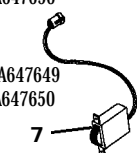
Switches

- 1. SWITCH WASH WIPE**
- RNE717 Range Rover up to JA351032 \$ 55.00
- RNE712 RR from JA351033 to SA647649 \$ 89.00
- RNE767 RR from SA647650 and Discovery I \$ 189.00
- 2. SWITCH INDICATOR, DIR, HORN**
- RNE705 Range Rover up to SA647649 \$ 95.75
- RNE760 RR from SA647650 and Discovery I \$ 189.00
- 3. HAZARD INDICATOR**
- RNE673 Bulb \$ 3.50
- 4. HAZARD SWITCH**
- RNE713 Range Rover up to RA647649 \$ 4.50
- RNE772 Range Rover from SA647650 \$ 21.75
- 5. SWITCH HEAD AND SIDE LAMP**
- RNE725 Range Rover up to RA647649 \$ 43.50



RNE731 Shown

- 6. SWITCH WASH WIPE REAR**
- RNE731 Range Rover up to RA647649 \$ 49.00
- RNE692 Range Rover from SA647650 \$ 10.00
- RNE801 Discovery I \$ 11.50
- 7. DIMMER UNIT**
- RNE704 Range Rover up to RA647649 \$ 58.50
- RNE704 Range Rover from SA647650 \$ 58.50
- RNE793 Discovery I \$ 39.00



8. SWITCH CRUISE CONTROL

- RNE821 Range Rover up to RA647649 \$ 14.00
- RNE683 Range Rover from SA647650 \$ 15.00
- RNE687 Discovery I \$ 12.75

9. SWITCH AUXILIARY LAMP

- RNE695 Range Rover up to RA647649 \$ 11.50
- RNE691 Range Rover from SA647650 \$ 12.00
- RNE690 Discovery I \$ 10.50

10. BLANKING PLATE

- RNB279 Range Rover up to RA647649 \$ 1.25
- RNB025 Range Rover from SA647650 \$ 3.25
- RNE699 Discovery I \$ 3.25

11. SWITCH HEATED SCREEN

- RNE741 Range Rover up to RA647649 \$ 14.25
- RNE698 Range Rover from SA647650 \$ 11.25
- RNE777 Discovery I \$ 9.50

12. SWITCH HEATED REAR WINDOW

- RNE701 Range Rover up to RA647649 \$ 14.00
- RNE685 Range Rover from SA647650 \$ 11.25
- RNE703 Discovery I \$ 12.50

13. SWITCH COURTESY LIGHT

- RNE702 Range Rover up to RA647649 \$ 15.50
- RNE684 Range Rover from SA647650 \$ 11.25

14. SWITCH HEATER

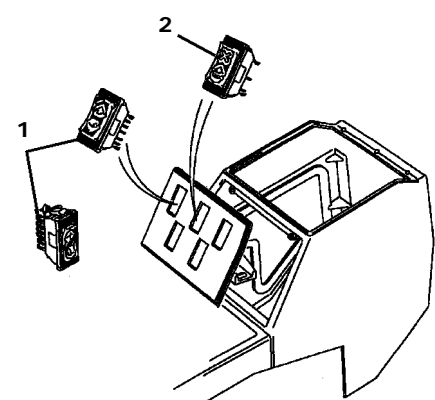
- RNE706 Range Rover up to RA647649 \$ 43.50

15. BRAKE LAMP

- RNE678 Range Rover with ABS \$ 23.50

BULBS FOR ABOVE SWITCHES

- Range Rover up to RA647649
- RNE750 Green \$ 2.00
- RNE743 Amber \$ 2.00
- RNE719 Red \$ 2.50
- Range Rover from SA647650 and Discovery I
- RNE751 Orange \$ 2.75
- RNE752 Green \$ 2.75
- RNE745 Clear \$ 3.95



Window Switches

- 1. SWITCH WINDOW AND SUNROOF**
- RNE726 Range Rover up to RA647649 \$ 24.25
- RNE689 RR from SA647650 and Discovery I \$ 14.25
- 1. SWITCH WINDOW REAR DOOR**
- RNE718 RH Range Rover and Discovery I \$ 24.25
- RNE726 LH Range Rover and Discovery I \$ 24.25
- 2. SWITCH ISOLATOR**
- RNE727 Range Rover up to RA647649 \$ 24.25
- RNE815 RR from SA647650 and Discovery I \$ 8.00

Seat Switches

- 1. SEAT SWITCH**
- RNE722 RH Non-Memory RR and Discovery I \$ 135.00
- RNE723 LH Non-Memory RR and Discovery I \$ 135.00
- RNE728 LH Range Rover Memory \$ 169.00
- 2. RNE697 DIAPHRAGM**
- \$.75
- 3. SEAT SWITCH KNOBS**
- Range Rover and Discovery I
- RNE720 RH Seat Back \$ 4.75
- RNE721 LH Seat Back \$ 4.75
- RNE708 RH Seat Cushion \$ 4.95
- RNE707 LH Seat Cushion \$ 4.95

Relays

- RNE674 Electric Seats, Cruise Control, Heat & A/C, Ignition Load, Air Suspension Warning, Front Wiper (Range Rover and Discovery I) \$ 9.75
- RNE711 ABS Pump, ABS Load Range Rover \$ 32.50
- RNE688 ABS Pump, ABS Load Discovery I \$ 39.00
- RNE775 ABS Light Relay Range Rover \$ 36.50
- RNE674 ABS Light Relay Discovery \$ 9.75



- RNE671 E.F.I. Relay \$ 45.00
- RNE740 Flasher Unit \$ 44.50
- RNE693 Flasher Unit 4-Pin \$ 43.75
- RNE774 Window Lift, Headlamps, Volt Switch, Sunroof, Load Shed, A/C Clutch, Heated Rear Screen, Starter, Horn, Alarm Sound, Seat Heater, Seat Motor, Air Suspension Compressor, Rear Wiper, Shift Interlock \$ 9.75

Fuses

- RNE732 3A \$.95
- RNE733 5A \$.95
- RNE734 7.5A \$.95
- RNE735 10A \$.95
- RNE736 15A \$ 1.35
- RNE737 20A \$.95
- RNE738 25A \$.95
- RNE709 30A \$ 3.70
- RNE694 Main Fuse Link Repair Kit \$ 137.50

Bulbs - Range Rover

- RNE676 Side Lights \$ 1.95
- RNE627 Directional/High Level Stop Lamp \$ 1.50
- REAR**
- RNE627 Reverse/Stop/Directional \$ 1.50
- RNE670 Side Lamp \$ 1.95
- RNE672 Number Plate \$ 1.20
- INTERIOR**
- RNE623 Courtesy Lamp (Up to NA624755) \$ 4.50
- RNE786 Courtesy Lamp (From PA624756) \$ 1.75
- RNE715 Illumination Unit \$ 3.95
- RNE672 Under Bonnet Lamp \$ 1.20

AUXILIARY SWITCHES

- RNE750 GREEN \$ 2.00
- RNE743 AMBER \$ 2.00
- RNE719 RED \$ 2.50
- RNE751 ORANGE \$ 2.75
- RNE752 GREEN \$ 2.75
- RNE745 CLEAR \$ 3.95
- RNE629 Clock \$ 1.75

Bulbs - Range Rover

- RNE673 Cigar Lighter \$ 3.50
- INSTRUMENT CLUSTER**
- Back Lighting Bulb and Holder
- RNE679 Up to JA351032 \$ 3.25
- RNE716 From KA351033 \$ 3.50
- RNE680 Warning Lights \$ 2.75

Bulbs - Discovery I

- RNE800 Headlamps \$ 5.75
- RNE675 Auxiliary Lamp \$ 4.75
- RNE672 Park Lamp \$ 1.20
- RNE672 Side Repeater \$ 1.20
- RNE627 Directional/High Level Stop Lamp \$ 1.50

REAR

- RNE626 Reverse/Stop \$ 1.35
- RNE627 Directional \$ 1.50
- RNE676 Park Lamp \$ 1.95
- RNE786 Number Plate \$ 1.75

INTERIOR

- RNE624 Front, Courtesy Lamp \$ 3.25
- RNE739 Illumination Unit \$ 1.25
- RNE786 Rear \$ 1.75
- RNE744 Rear Load Space \$ 1.25
- RNE751 Auxiliary Switches, Orange \$ 2.75
- RNE752 Auxiliary Switches, Green \$ 2.75
- RNE696 Clock \$ 6.00
- RNE673 Cigar Lighter \$ 3.50

INSTRUMENT CLUSTER

- RNE749 Black Base/Clear \$ 4.75
- RNE791 Blue Base/Clear \$ 2.75
- RNE748 Black Base/Green \$ 2.75
- RNE814 Black Base/Green (Larger than RNE748) \$ 2.75
- RNE748 Grey Base/Green \$ 2.75
- RNE749 1.12W \$ 4.75

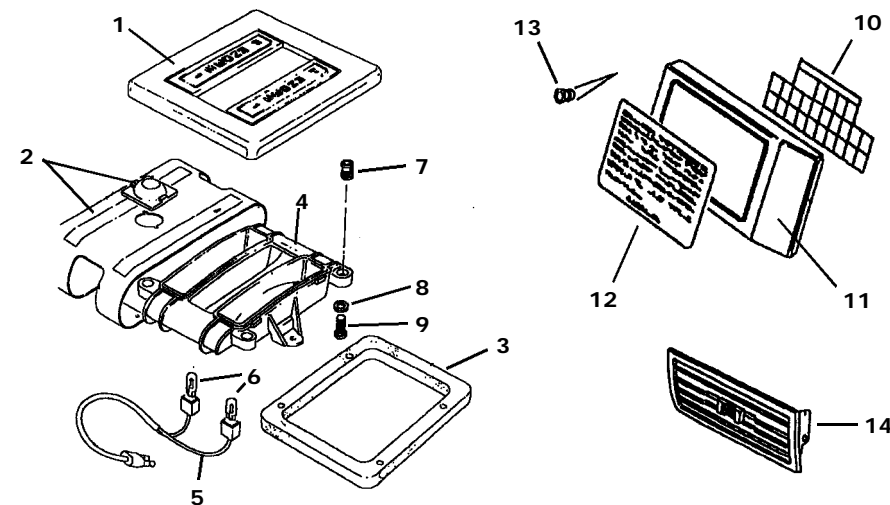
Misc. Electrical

- RANGE ROVER**
- RNE761 CD Magazine (Pioneer) \$ 29.45
- RNE710 Resistor A/C and Blower \$ 59.50
- RNE686 Alarm Remote Control \$ 78.50
- RNE677 Cable Tie Wire Harness \$ 1.50
- RNE724 Actuator Spiral Cassette \$ 107.25
- RNE714 Cable Trailer Lamps \$ 69.00
- RNE700 Angle Drive Speedo \$ 87.50
- RNE730 Washer Pump Front \$ 29.75
- RNE729 Washer Pump Rear \$ 26.00
- RNA688 Block Heater V8 \$ 35.50
- SENSORS**
- RNE802 Low Coolant Level, Up to KA399972 \$ 57.00
- RNC027 Low Coolant Level, From LA399973 \$ 58.50

Lose Your Keys?

We stock Land Rover Genuine Parts replacement key blanks to get you back into your Rover.

- RNI033 Discovery I \$6.25 ea.
- RNI032 Range Rover \$5.25 ea.



Interior Shifter Trim

- 1. RNT003 Auto Select Bezel \$ 59.75
 - 2. RNT010 Illumination Unit \$ 27.50
 - 3. RNT006 Gasket \$ 5.25
 - 4. RNT011 Guide Box \$ 33.75
 - 5. RNE811 Link Lead (Use with bulb RNE804) \$ 18.75
 - 6. RNE715 Bulb \$ 3.95
 - 7. RNH036 Fastener \$ 4.95
 - 8. RNH040 Plain Washer \$.64
 - 9. RNH039 Screw \$.30
- 10. RNB285 Fuse Label (Up to PA639963) \$ 2.50
 - RNB291 Fuse Label (From RA624756) \$ 4.25
 - 11. RNB311 Fuse Cover \$ 6.25
 - 12. RNB302 Instruction Plate \$ 2.75
 - 13. RNB314 Retainer \$.55
 - 14. RNB292 Louvre (Up to PA632956) \$ 16.75
 - RNB293 Louvre (From PA632957) \$ 13.00



ARB Air Locker allows you to instantly lock up axle differentials to prevent wheel spin with the touch of a button. This is the most effective traction device you can add to your Land Rover.

Designed to withstand the punishment of hard off-road use, with no compromises in highway performance. Air compressor kit will operate one or two lockers as well as function as an on-board air supply for inflating tires, etc. Designed for Discovery, Ranger Rover Classic differentials.

Range Rover Classic ARB Locker

- RD03 Range Rover Classic up to 1992 \$ 699.00
- Range Rover Classic 1993 (please quote axle number)
- RD56 Range Rover Classic 1994 on \$ 699.00
- ARB1118 Complete Rear ARB Kit* up to 1992 \$ 999.00
- ARB1113 Complete Rear ARB Kit* 1994 on \$1039.00
- ARB1128 Complete Front & Rear ARB Kits* up to 1992 \$1790.00
- ARB1114 Complete Front & Rear ARB Kits* 1994 on \$1850.00

Discovery ARB Locker

- RD56 Discovery 1994 on \$ 699.00
- ARB1117 Complete Rear ARB Kit* 1994 on \$1039.00
- ARB1127 Complete Front & Rear ARB Kits* 1994 on \$1850.00

ARB Accessories

- RDCK Air Compressor Kit \$ 235.00
- PUK Inflation kit \$ 42.00

* (Kits includes all necessary Genuine bearings, gaskets and hardware, for a complete conversion)

Genuine Lamp & Brush Guards

Discovery I



FRONT LAMP GUARDS
Hinged for easy lamp access.

RNA658 Discovery I \$195.00 pr
RNA663 Discovery II \$189.00 pr



REAR LAMP GUARD SET - DISCOVERY I
RNA659 \$195.00 pr
Discovery II
RNA664 \$185.00 pr



REAR BUMPER LAMP GUARD REAR SET - DISCOVERY I
RNA660 \$59.00 pr

Range Rover Classic



REAR LAMP GUARD SET
Range Rover Classic All Models
RNA653 \$159.00 pr

FRONT LAMP GUARD SET
Range Rover Classic All Models, hinged for easy lamp access.
RNA655 \$219.00 pr



Range Rover Classic Wrap Around Brush Bar with Removable Lamp Guards

(Range Rover shown with optional "Sports" rim, see page 17 for additional wheel styles)
RNA644 \$495.00



ROVERS NORTH



Discovery I Wrap Around Brush Guard

Wrap Around with Removable Lamp Guards. Standard Duty.
RNA656 \$579.00



RNA675 Beige 3-piece footwell set shown



Rubber Floor Mats

Range Rover Classic Rubber Floor mats

Incorporating an innovative perimeter wall, these molded rubber mats help to prevent spillages of mud, slush or water. The Range Rover signature is included within a rugged tread pattern.

RANGE ROVER CLASSIC 4 PC. SET
100" RNA624 \$175.00
11WB RNA625 \$ 98.50



Range Rover Straight Brush Guard

Straight Brush Bar with Removable Lamp Guards. Standard Duty.
RNA662 \$495.00

Waterproof Seat Covers

Discovery I

Waterproof Seat Covers - Beige

RNA665	Front Pair	\$ 175.00
	(manual seats)	
RNA694	Front Pair	\$ 195.00
	(power seats)	
RNA666	Rear Seat	\$ 210.00
RNA667	Jump Seats	\$ 125.00
	(grey also available)	

Luxury Carpet Mats

Contour perfect tailoring with a deep Wilton pile. Woven in a tough but washable nylon, and incorporating hard wearing helpads. Please specify VIN#.

Discovery I, 3-Piece Footwell Set

RNA675	Beige	\$ 175.00
RNA680	Grey	\$ 175.00

Discovery II, 3-Piece Footwell Set

RNA677	Beige	\$ 189.00
RNA689	Grey	\$ 189.00



RNA674 Discovery I Rubber Loadspace

Discovery I

RNA626	Footwell Set	\$ 169.00
RNA674	Loadspace	\$ 135.00

Discovery II

RNA676	Footwell Set	\$ 173.00
RNA682	Full Length	\$ 215.00
RNA683	1/2 Length	\$ 140.50



Genuine Parts Support

Hours: Mon-Fri: 7:30-5:30; Sat: 9-2:00; EST

Dog Guards

These contoured guards mount securely and separate the passenger area from the load space, creating a mobile kennel for your dogs. The mounting hardware is permanent, yet allows the guards to be quickly and easily removed. Available in two styles, black mesh or grey bar style, both are constructed from heavy-duty steel with a durable nylon finish.

Range Rover Classic

RNA692	Bar Style (shown above)	\$ 329.00
RNA693	Black Square Mesh Style	\$ 329.00

Discovery I

RNA692	Bar Style (shown above)	\$ 329.00
--------	-------------------------	-----------



Waterproof Seat Covers

Range Rover Classic

RNA672	Full Set Beige	\$ 445.00
RNA673	Full Set Grey	\$ 445.00

Range Rover 4.0* & 4.6*

RNA678	Front Pair Beige	\$ 295.00
RNA679	Front Pair Grey	\$ 295.00
RNA684	Rear Seat Beige	\$ 345.00
RNA685	Rear Seat Grey	\$ 345.00

*Only up to 1999 for vehicles without side airbags



Interior

Phone: (802) 879-0032



Discovery I Heavy Duty ZBar

- ZBR3100 ZBar Only \$ 899.00
- ZBR3109 With X9 Superwinch Mounted \$ 1895.00
- ZBR3110 With G10 Winch Mounted \$ 2890.00

Awesome looking, super beefy, weight saving ZBar bumpers

Hands down ZBars and Superwinch are our choice for the ultimate in a powerful bumper and winch combination. Specifically hand-built in England for Land Rovers, they offer strong and functional front end protection without excessive weight.

- Superior Front End Protection Against Off-Road Hazards
- Tough Nylex Finish Resists Scratching and Corrosion
- Superior 9000lb Capacity SuperWinch
- Full Spool Visibility for Precision Reel-in
- Roller Fairlead with Hand-held Winch Controller
- Built-in Recovery and Jack Points
- Driving Lamp Mounts
- Optional 10,000lb G10 Waterproofed Winch Available



Discovery I shown with a ZBar Forest and X9 Superwinch. Winch control boxes shown can be relocated to a concealed location.



Discovery II shown with ARB Bull Bar and low profile winch

ARB Bumper & Warn 9,000lb

Winch assembly
This fully assembled ARB bumper super front end protection for your Range Rover & Discovery I. This heavy duty front bumper with integral protection bar and recovery points, is built to facilitate a Warn 9,000 lb winch with roller fairlead. For Hella lights, see page 34. Need under carriage rock protection and skid plates, see page 33. Not enough interior storage, see page 36-37 for roof racks.



Range Rover Classic with ARB Bull Bar



Range Rover Classic Heavy Duty ZBar

- ZBR5100 ZBar Only \$ 899.00
- ZBR5109 With X9 Superwinch Mounted \$ 1895.00
- ZBR5110 With G10 Winch Mounted \$ 2295.00

The Rovers North Difference

Our ZBar & ARB bumper winch kits are professionally prepared and tested in our workshop facility, so that you receive a fully assembled product ready to bolt on. Includes; bull bar, winch with cable, roller fairlead, remote control, mounting brackets, wiring harness, instructions and all special hardware needed to bolt right on your Land Rover. This saves you a lot of time and hassle looking for the correct installation parts.



Superwinch G10 Plus

Our choice for the ultimate in winching power for the Range Rover Classic and Discovery I. Similar to the Superwinch X9 in size, but with a custom built, heat dissipating alloy assembly, and a sealed waterproof heavy-duty 2.5hp motor with roller bearings. With this combination the G10 has a much greater pulling power for the same current draw as the X9 and less amp draw at all loads. Also, both no-load and under-load speeds are 20% faster than an X9. Featuring a 10,000 lb pulling capacity and an approximate 12,000 lb stall load, the fully waterproofed G10 is the winch to beat. Includes 12' hand held remote and roller fairlead. **G10 \$1995.00**



Superwinch X9

For most situations, this is the winch to have. Lightweight and boasting a powerful stall load, the X9 is the perfect companion with the ZBar heavy duty bumper. **1901C \$899.00**

Specifications:

Rate Line Pull (single line)	9,000 lb. (4,082 kg)
Stall Load	11,900 lb. (5,398 kg)
Motor	2.0 hp Series Wound
Gearing	Differential Planetary
Gear Ratio	253:1
Freespooling Clutch	1/4 Turn Activation
Wire Rope	5/16" x 100' (7.9mm x 30.5m)
Dimensions	22.88" l. x 6.75" d. x 6.63" h. (581mm l. x 171mm d. x 168mm h.)
Drum Diameter	2.5" (64mm)
Drum Length	9" (229mm)
Weight	82 lb. (37 kg)

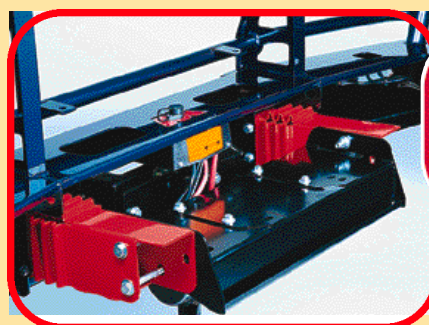


Warn 9500

12 volt DC. Includes 12' hand held remote and roller fairlead. **Warn95 \$1195.00**

Specifications:

Rated line pull (single line):	9,500 lbs (4,309 Kg)
Motor:	4.6 HP series wound
Freespooling Clutch	
Sliding ring gear	
Wire rope:	5/16" x 100' (7.9mm x 30m)
Brake:	Automatic, direct drive cone
Dimensions:	23.2"L x 6.3"D x 7.6"H
Weight :	84 lbs (38.1 Kg)



Discovery II collapsible mounting system



Winch Bull Bars

Unmatched quality, **strength** and style.

- Integrated winch mount systems with all necessary hardware for bolt on fitment
- Mounting points for driving lights, tow hooks and CB antennas



Warning: Winching is dangerous. Read your operators manual completely and practice using your winch in a controlled situation before using it for actual vehicle recovery.

ARB & Warn Winch assembly

- ARB9WK Range Rover Classic \$ 1895.00
- ARBDI9WK Discovery Series I \$ 1995.00
- ARBDII9WK Discovery II \$ 1995.00



ROVERS NORTH



Hours: Mon-Fri: 7:30-5:30; Sat: 9-2:00; EST

Phone: (802) 879-0032

Winching Accessories



Jackall

A rugged, powerful, all-purpose tool that can lift, pull, push or hoist up to 8,000 lbs. It is ideal for self recovery and is widely recommended as a basic component of an off-road vehicle's kit. 48" tall. **1120 \$69.50**

Jackall Adapter

Fits into the jack receptacles that are located on the Rovers North Sill Protectors (page 33), and ZBar and ARB bumpers (page 30). This adapter provides the safest way to jack up your Land Rover on uneven terrain.

1390 \$45.00



Warn Snatch Block

Used to double the pulling power of your winch and to aid in angled pulls. **8555 \$65.00**



Kinetic Recovery Rope

An extremely effective recovery tool that allows you to use vehicle momentum without the sudden shock you would experience from using a chain. You need to actually see it work to believe it. Requires securely fastened recovery hitches for safe use. Highly recommended unit. **KRR001 \$149.00**



Photo: Gordon Kalio

Superwinch Tree Strap

The tree strap will allow you to safely use a tree as a winch anchor point without harming the tree. Using a cable or chain as a winch anchor point will injure and possibly kill a tree. 8' long, 30,000lb capacity. **2531 \$47.50**



Beefy 4"x30' Tow Strap

Truly size does matter. This beefy 4" recovery tow strap is big enough for most extractions. Also available in 2" width. 40,000lb breaking strength. 4"x30'

RNA1430 4"x30' Tow Strap \$69.00
RNA1230 2"x30' Tow Strap \$39.00



Recovery Ring

Excellent accessory for winching and vehicle recovery. Dimensions are 4 1/2" x 6 5/8"

RNA1000 \$39.50

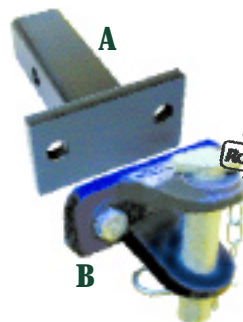


3/4" "D" Shackle

Excellent accessory for winching and vehicle recovery. Useful for attaching a tree strap to winch cable. **RNP0120 \$19.00**



Genuine Winch Accessory Kit
RNA690 \$225.00



Recovery Hitch and Receiver Adapter For all NAS Models

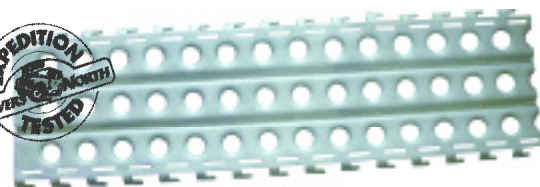
(A) Receiver Adapter allows recovery and tow hitches to be mounted into Land Rover's Class III rear receiver. **RNA082 Receiver Adapter \$69.00**

(B) Recovery Hitch can be front or rear mounted to handle snatch strap, chain or winch cable as used on the Camel Trophy. Special mounting hardware included. **TJA3500 Recovery Hitch \$89.50**



Shackle Recovery set

Made of solid steel, this is a stout, easy to use recovery hitch. Shackle and hitch pin included as shown. **RNA1022 \$49.75**



Perforated Aluminum Platforms

Available new or military surplus. These 5' flotation mats help keep your vehicle moving over soft ground. Made from heavy gauge aluminum, yet only weigh 14 lbs. each. Not intended for use as a bridge but for traction over marshy surfaces.

RNP1004 New 5' \$295.00 pr.
PAP05 Military surplus 5' \$195.00 pr.



Rovers North Skid Plate

Made from heavy duty 10mm aluminum alloy with galvanized steel brackets, this skid plate is strong and durable, yet light weight. Designed to protect your steering and front axle housing from off-road hazards.

RNA4111 Range Rover Classic & Discovery I \$495.00
RNA4117 Discovery II \$495.00



Includes Jackall receptacle recovery mounting points

Rovers North Rock Sliders

Discovery & Range Rover Classic

Essential protection for heavy off-road use.
RNA1014 Range Rover Classic & Discovery I \$475.00
RNA1015 Range Rover Classic LWB \$525.00
RNA1117 Discovery II \$475.00



Winching Accessories

Expedition Shovel

Totally out performing normal shovels, this easy to handle off-road shovel, with its straight profile, is designed for digging under stuck vehicles. This solid hardwood handled recovery tool is made in England and is the first choice among expeditioners.

RNA691 \$69.00



Rovers North Front Differential Guard

Essential protection for off-road use. Steel guard clamps onto the front axle housing and protects the front differential from the most common off-road hazards.

DIFF01 Range Rover Classic & Discovery I \$145.00
DIFF02 Discovery II (non ACE only) \$145.00

How Far Can You Go?

With the lev-o-gauge it's right in front of you. Mounts to dash or side of doors for approach and departure angles. Adhesive backing allows for easy installation anywhere.

RNA2050 Lev-O-Gauge \$9.95



NEW ITEM!



GRP Honeycomb Waffle Matt Bridges

Glass Reinforced Plastic "waffle" bridges. In boggy conditions the footprint of a tire is increased over ten fold which gives a vast increase in flotation. When load bearing they do 'flex', but return to their original shape when the load is removed. They measure 4'10" L x 14" W. (sold in pairs)

RNW1000 GRP Bridges \$390.00pr.

Rock Protection

SOUTHDOWN USA



NEW ITEM!



Southdown USA Skid Plates

Get equipped today! Don't be left out on the trail with a rock damaged undercarriage. Southdown USA skid plates are crafted from reinforced 8mm thick steel, providing strength and rigidity while protecting vulnerable steering components. Anodized steel finish - yellow by special order. Supplied complete with stainless steel hardware and do-it-yourself instructions.

RNAFA02 Front Axle Range Rover & Discovery I \$395.00
RNAFA03 Front Axle Discovery II (non ACE only) \$395.00
RNARA04 Rear Diff Range Rover & Discovery I \$210.00
RNARA03 Rear Diff Discovery II (non ACE only) \$259.00
RNAST02 Steering Guard Range Rover & Discovery I \$359.00
RNAST03 Steering Guard Discovery II \$398.00

Accessories

Expedition Lights

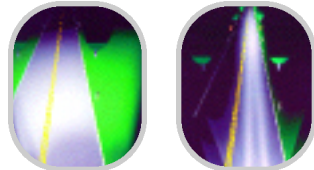
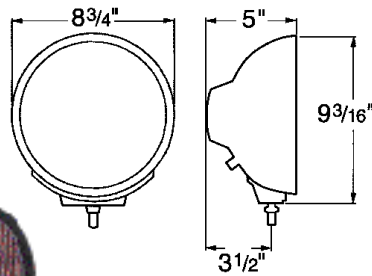


Hella

Hella 4000 Expedition Series

Rallye 4000

Is bigger really better? In this case, a resounding yes! The perfect lamp for the top or front of your Land Rover - with a corrosion-resistant metal housing, water-proof connections and knurled adjustment knobs that allow for precise aiming without tools. Stable, sturdy and **BRIGHT!**



Hella Rallye 4000 Fog Lamp

Hella Rallye 4000 Euro Driving



Hella 4000 wiring harness
Makes for simple do-it-yourself installation.
87202 \$ 55.00



Hella Rallye 4000 Euro Driving



Hella Rallye 4000 Fog Lamp

Hella Rallye 4000 Pencil Beam

- RNK4807 NEW Rallye 4000 Euro Driving Kit \$335.95**
Includes a pair of lights, stone shields & wiring harness
- 74805 Rallye 4000 Fog Lamp \$145.00 ea**
 - 74807 Rallye 4000 Euro Driving \$145.00 ea**
 - 74808 Rallye 4000 Pencil Beam \$145.00 ea**
 - 87202 Wiring Harness \$ 55.00 ea**
 - 79387 Protective Grille \$ 29.00 ea**
 - 79388 Stone Shield (comes with lamp) \$15.00 ea**
 - 79140 Clear Cover \$14.00 ea**

Rallye 4000 Kit! \$335.95

RNK4807 Rallye 4000 Euro Driving Kit
Includes a pair of lights, stone shields & wiring harness. Shown below .



75804 Hella Rallye 1000 Shown on front of Range Rover Classic.

Hella 550 Expedition Series

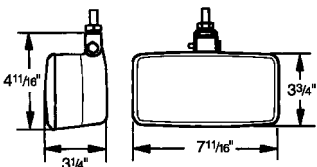


Hella 550 Fog Lamp

Hella 550

- Two lights, wiring harness and relay in a kit
- HFL181 Hella 550 Fog Lamp Kit \$125.00**
 - HDL181 Hella 550 Driving Lamp Kit \$125.00**
 - 79156 Hella 550 Clear Cover \$ 13.75ea**

Amber Fog



Stone Shield

Clear Cover



Hella 550 Driving



Range Rover LWB with Hella 550's in stock spoiler



PIAA

PIAA 80 PRO XT

These 120 watt phasers measure only 7" diameter, but provide an enormous amount of light. Perfect for the brush bar that sits only inches away from the grille - or anywhere that space is limited. Impressive quality and a complete kit that includes both lamps, wiring harness and protective covers. Other PIAA light are available, please call. **PIA8362 \$325.00**



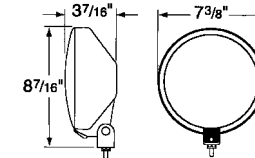
Hella Xenon Rallye 4000 HID Lamp
74801 \$725.00ea



Hella Xenon Rallye 2100 HID Lamp
77806 \$695.00ea

Hella Xenon HID Lamps are also available in the Rallye 1000 Series Lamp Sizes.

Hella 1000 Expedition Series



Hella 1000 Black Magic

New black optics technology creates a wild, all-black look. Serious style enthusiasts will love it - all black when "off" - a brilliant, enhanced-focus beam when "on". Includes wiring harness.

- 75804 Hella Rallye 1000 Black Magic Kit \$255.00**
- 79238 Stone Shield \$15.50ea**
- 79111 Clear Cover \$13.50ea**

Stone Shield



Clear Cover

- RNK5804 Hella Rallye 1000 Black Magic with Land Rover Grills & 100w Blue Ion Bulbs - Kit \$299.00**

Hella 500 Expedition Series

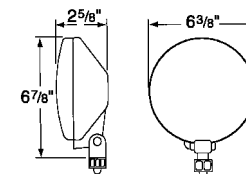


Hella 500 Driving

Amber Fog

Stone Shield

Clear Cover



Hella 500

The rigid construction provides durability for encounters with even the most rugged terrain and provides excellent visibility on and off-road. Two lights in a kit, includes wiring.

- 76110 Hella 500 Driving Kit \$95.00**
- 76210 Clear Fog Kit \$95.00**
- 76310 Amber Fog Kit \$95.00**
- 79124 Stone Shield \$9.50ea**
- 79150 Clear Cover \$13.75ea**

Hella Vision Plus Vision Plus Headlamp Conversion

High performance European headlamp technology in a "street legal D.O.T." version. Most powerful, legally approved headlamp on the market. These headlamps provide a precise, focused beam pattern that turns night into day! A direct replacement for factory headlamps on Range Rover Classic, all Defender and Series Land Rover models. 60 watt high beam / 55 watt low beam Hella Vision Plus
70477 \$48.50ea



Hella Relay - All Models



Hella relays provide improved performance of electrical accessories by reducing the voltage drop that occurs when power is routed directly through a switch. Hella relays also allow for the use of higher wattage light bulbs than factory switches are capable of handling on their own.

- J87108 15A Hella relay Shown \$ 14.25**
- 87106 30A Hella relay \$ 14.25**



Hella Performance Wiring Harness

Makes installation a snap. Ready to use and color-coded for easy hook-up. Includes all connectors. Contents Include: (1) wiring assembly, attaching hardware, 12V/30A relay, 15A fuse In-line fuse holder and connectors
87199 \$ 39.00



Hella Map Light
Perfect for reading rallye maps! Flexible attachment provides light for both occupants. Plugs into any 12v lighter receptacle.
RNA671 \$ 29.75





Expedition Tough Storage

Rovers North Custom Stainless Steel Range Rover Classic & Discovery I Roof Racks
 Enhance your Land Rover's function and ability in overland travel with a purpose-built expedition roof rack by Rovers North. Custom built to your specifications in our workshop facilities, our quality is guaranteed.

- Precision built with high strength corrosion proof stainless steel.
- Superior mounting system and load deck design
- Easy bolt-on installation, requires no drilling or special tools.
- Custom manufacturing ability to meet your special equipment and design requirements.



10 year
 custom built
ROVERS NORTH
 stainless steel
 roof racks
 guarantee

Range Rover Hudson Bay Roof Rack, equipped with light mounts, spare tire mount, water can mounts and custom axe carrier

Hudson Bay (full length expedition rack)

Covers the entire roof top of your Land Rover product, 4" or 6" sides, stainless.

- RNA079 Range Rover 100' Classic \$ 1,495.00
- RNA079L Range Rover 108' Classic \$ 1,595.00



The listed prices are a guide for expedition-ready base units with your choice of 4" or 6" sides. Should you require any optional equipment or design features, please inquire as these costs are additional.

Brownchurch Roof Racks



Versatile and attractive, these famed roof racks are available in half and full length sizes. Their wide, easy to install gutter mount clamp system will have you stowing your gear in no time at all. Allows both sunroofs to be opened.

Brownchurch
 Famed Roof Racks of London



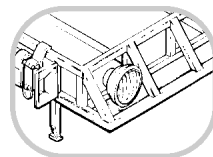
Range Rover Alcan Roof Rack, equipped with spare tire mount, water can mounts and custom axe carrier .



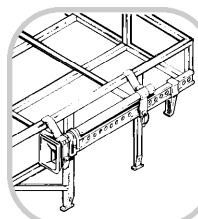
Your choice of optional equipment includes:

- Front and rear lamp mounts with internal wiring.
- Spare wheel mount.
- Built-on carrier for jack, shovel, pick, axe and other equipment.

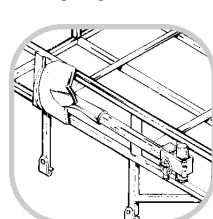
- Water & fuel can mounts.
- Custom decking and wall heights.
- Lockable mounts for rack and accessories.



Lighting



Jack mounting



Shovel, Axe or Pick

Alcan (3/4 length expedition rack)

4" or 6" sides stainless.

- RNA034 Range Rover 100' Classic \$ 925.00
- RNA034L Range Rover 108' Classic \$ 970.00



Expedition Essentials

Fuel / water containers and ladders built to take it all.

Authentic British Army 20 litre (five gallon) containers. Water container has built-in vent for easy pouring. Fuel container requires fuel spout. Both have superior leak-proof lids.

Fuel Container

- RTC8016 Steel green \$ 48.00

Water Container

- RTC8017 20 litre ABS matte black \$29.00



Fuel Spout

- RTC7086 Steel \$19.50

Replacement Fuel Spout Seal

- RTC7082 For fuel can lid \$ 4.50

Genuine Land Rover Discovery I Rear Ladder

- RNA661 \$159.00



RNA661 Rear Ladder



Range Rover Classic Half Length Rack



Range Rover Classic Full Length Rack

Brownchurch Roof Racks

Full Length 81"x53"x4"

- RR91NL Range Rover Classic \$ 650.00
- ID91NL Discovery I & II \$ 650.00

Half Length 49"x53"x4"

- RR91NS Range Rover Classic \$ 495.00
- ID91NS Discovery I & II \$ 495.00
- RNA661 Discovery Rear Ladder \$ 159.00



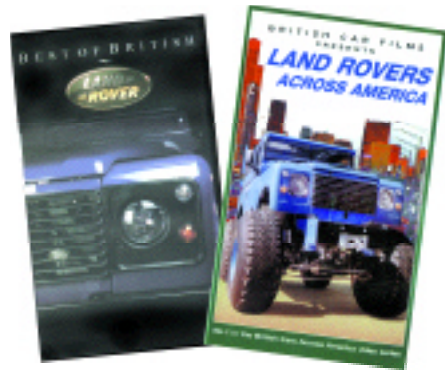
Hours: Mon-Fri: 7:30-5:30; Sat: 9-2:00; EST

Phone: (802) 879-0032

Accessories

Accessories

Books & Videos



Best of British Land Rover
Trace the history of the Land Rover, visit the largest Land Rover rally in the world, hear interviews with other Land Rover enthusiasts and look at prototypes as well as seeing Land Rover's vision of the future when Hollywood came to call.
Video1 \$ 25.50

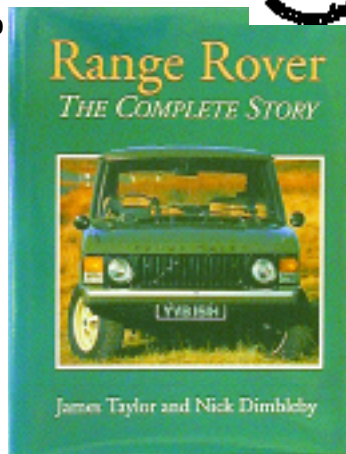
Land Rovers Across America

London based specialist film company, LRAA Video British Car Films, has just completed the first ever film celebrating the history of Land Rovers in America.
From tricked out Land Rovers off-roading in Colorado to a historic look at advertising and vehicle development, this video has it all.
Video3 \$24.95
This is a must see movie for every Land Rover enthusiast!



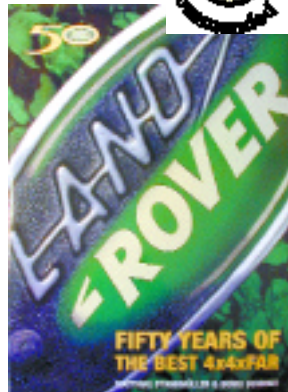
Range Rover, The Complete Story

This book covers Range Rovers from early prototype to the 1995 Range Rover Classic, plus special conversions. Includes driving tips and a buyers guide. 208 pages, hardcover.
Book44 \$35.00

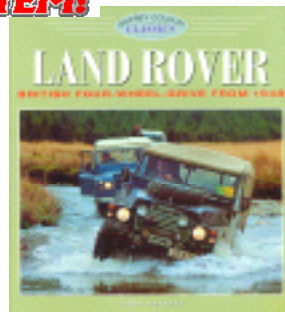


Fifty Years of The Best 4x4x4x4

Anyone who thinks they know the story of the Land Rover will enjoy reading the details that this book brings to light. Includes tons of photos of very early (and never seen before) vehicles as well as interesting facts and details throughout the model range. An excellent and insightful read.
BOOK47 \$37.50



NEW ITEM!



Land Rover British Four-Wheel-Drive From 1948
Chris Bennett at his finest. Truly a wonderful book that displays some fine Dunsfold collection examples, along with the rare Llama to a Camel Trophy Defender 90. 128 colour pages of mud, militaries and Land Rovers in motion.
Book52 \$11.25



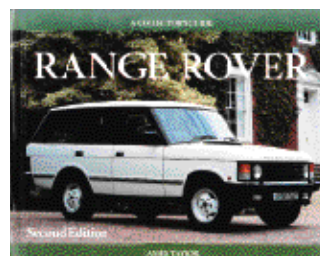
Restoration Manual for the Range Rover
Another great book in the Haynes series of DIY (do it yourself) manuals. Sections on how to buy, maintain, restore and modify a Range Rover Classic. 192 pages, hardcover.
Book48 \$34.75



NEW! Off-Roader Driving
A follow-up based around the sell-out two editions of The Land Rover Experience and building on and updating some of the three years' research for Vehicle-Dependent Expedition Guide. Brand-neutral and even handed, it covers also a balanced overview of the multiplicity of current four-wheel drive systems and brand names.
Book50 \$39.75



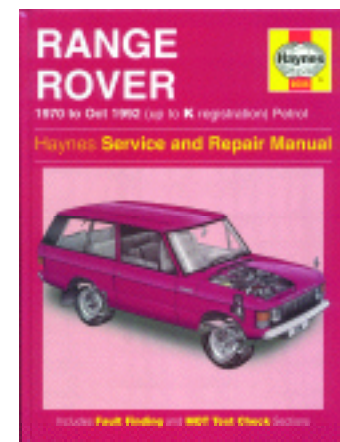
Off-Road Driving Techniques
Nick Dimbleby
This book tells you all you need to know about the vehicles, equipment and techniques you need to safely and responsibly drive off-road. Motoring journalist and highly experienced off-roader Nick Dimbleby explains everything in a highly readable style illustrated with fine photographs. 158 pages - Black and White **BOOK51 \$ 29.50**



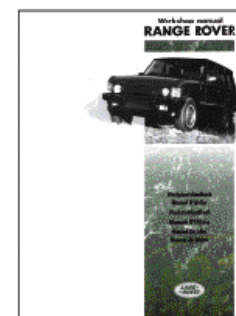
Range Rover, A Collectors Guide Second Edition
James Taylor
A guide to the history of Range Rovers, as well as mechanical and performance information. 128 pages - Black & White **Book12 \$29.50**



Working in the Wild, Land Rover's Manual for Africa
Treneman-Carolan
An informative manual covering expedition preparation for Land Rovers working in harsh and remote environments. Includes optional equipment selection, necessary spares to carry, vehicle maintenance, emergency procedures and more. 127 Pages - Black and White **SMR684MI \$24.50**



Haynes Range Rover Service and Repair Manual - Pre 1992
Perfect to compliment your Restoration manual.
HAYNR \$29.75



Genuine Range Rover & Discovery I Workshop Manuals
Range Rover Classic
WSMRR87-91 \$185.00
WSMRR92-94 \$150.00
WSMRR95 \$150.00
Discovery I
WSMDS94-98 \$140.00

Stay warm!

Rovers North Fleece Vests
These vests are awesome and warm! Polartec 300 fleece retains maximum body warmth wet or dry. It will out wear other fleeces and is good looking enough to wear for any occasion. Hand crafted in Vermont, insures superior quality and attention to detail. This fleece vest can be layered for excellent cold weather protection or worn on its own as a three season vest.
Red RNFV05 (specify size) \$ 69.00
Green RNFV02 (specify size) \$ 69.00
Black RNFV03 (specify size) \$ 69.00



Official Hat
Sport your true colours with a Land Rover logo hat. Strap adjustment fits most sizes. **RNA696 \$15.00 ea**



Pelican Protector Cases

The world's toughest.

- Watertight • Dentproof • Dustproof
- Lightweight Space-Age Structural Resin
- O-Ring Sealed • Atmospheric Purge Valve

Black Pelican Case
Exterior Dimension: 18 1/2"L x 15 1/4"W x 6 7/8"D
Interior Dimension: 17"L x 11 3/4"W x 6"D
• Fold down Handle • Pick N Pluck Foam
• Padded Dividers
• Fits into Rovers North Roof Rack compartments
• Available in Black
1500B \$133.50

Small Yellow Pelican Case
Exterior Dimension: 9 1/4"L x 7 3/4"W x 4 1/2"D
Interior Dimension: 8 1/2"L x 6"W x 3 3/4"D
• Fold down Handle • Pick N Pluck Foam
• Available in Yellow
1150Y \$33.75



Pelican Expedition Laptop Briefcase

- The World's Toughest Laptop Computer Case
- Molded of Advanced Ultra High Impact Copolymer Resin
- Watertight, Crushproof, Airtight and Dustproof
- Removable Padded Shoulder Strap
- Accessory Space Under Computer
- Slim Attache Design With Locks
- Atmospheric Purge Valve
- Watertight O-Ring Seal
- Ultimate In Protection
- Fits Laptop Computers Up To 15 1/2"L x 10 1/2"W x 2 1/2"H With a Pick 'N Pluck Foam Protector Tray
- 1470CC \$179.95**

